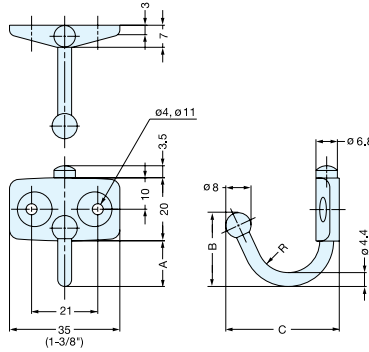


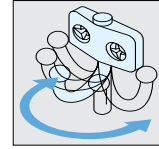
SWING HOOK



TK, TKF



- Swivels 180 degrees.
- Type "F" models have constant torque when swiveling.
- Ideal for vibration or shock applications.



Installation

| Material | Finish |
|---------------------|----------|
| 304 Stainless Steel | Polished |

| Item No. | Type | A | B | C | R | Load Capacity | Weight (g) | Box (pcs) | Carton (pcs) |
|----------|------------------|--------------|---------------|----------------|------------|----------------|------------|-----------|--------------|
| TK-30 | Without Friction | 9/16" (14.5) | 15/16" (23.4) | 1-7/16" (36.0) | 3/8" (10) | 26 lbs (12 kg) | 17 | 100 | 1000 |
| TK-45 | Without Friction | 3/4" (19.4) | 1-1/8" (28.4) | 1-3/4" (44.3) | 9/16" (15) | 17 lbs (8 kg) | 20 | | |
| TK-30F | With Friction | 9/16" (14.5) | 15/16" (23.4) | 1-7/16" (36.0) | 3/8" (10) | 26 lbs (12 kg) | 17 | 100 | 1000 |
| TK-45F | With Friction | 3/4" (19.4) | 1-1/8" (28.4) | 1-3/4" (44.3) | 9/16" (15) | 17 lbs (8 kg) | 20 | | |

(units in mm)

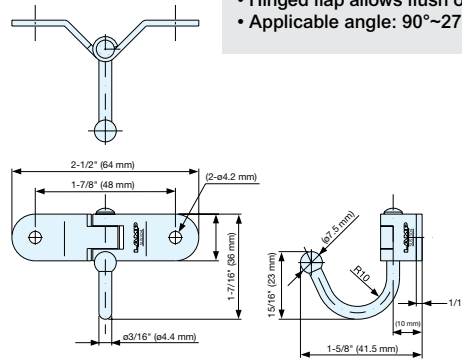
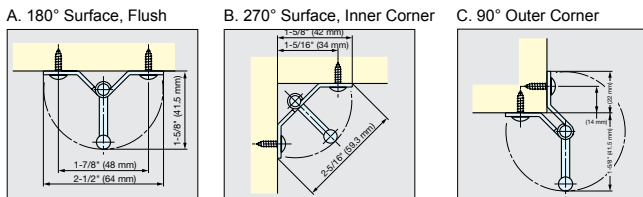
BUTTERFLY HOOK



TZ-360



- Hinged flap allows flush or corner mount.
- Applicable angle: 90°~270°



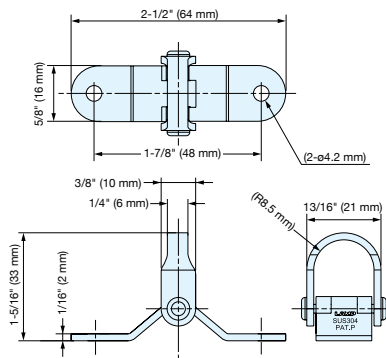
| Material | Finish |
|---------------------|----------|
| 304 Stainless Steel | Polished |

| Item No. | Load Capacity A | Load Capacity B | Load Capacity C | Weight (g) | Box (pcs) | Carton (pcs) |
|----------|-----------------|-------------------|-----------------|------------|-----------|--------------|
| TZ-360 | 13.2 lbs (6 kg) | 12.3 lbs (5.6 kg) | 6.6 lbs (3 kg) | 27 | 50 | 500 |

BUTTERFLY HOOK

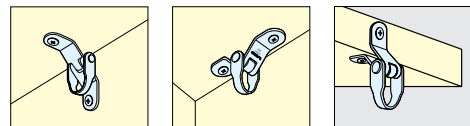


DZ-270



- Eyelet swivels for various installation applications.
- Hinged leaves for flush or corner mount.
- Includes 1/2" (M4 x 12) long screws.

Installation



A. 270° Surface, Inner Corner B. 180° Surface, Flush C. 90° Outer Corner

| Material | Finish |
|---------------------|----------|
| 304 Stainless Steel | Polished |

| Item No. | Load Capacity A (270°) | | Load Capacity B (180°) | | Load Capacity C (90°) | | Weight (g) | Box (pcs) | Carton (pcs) |
|----------|------------------------|-----------------|------------------------|-----------------|-----------------------|-----------------|------------|-----------|--------------|
| | Horizontal | Vertical | Horizontal | Vertical | Horizontal | Vertical | | | |
| DZ-270 | 12.3 lbs (5.6 kg) | 13.2 lbs (6 kg) | 13.2 lbs (6 kg) | 17.6 lbs (8 kg) | 6.6 lbs (3 kg) | 17.6 lbs (8 kg) | 29 | 50 | 500 |