

LEVELING GLIDE



LOAD CAPACITY
100~180 kg
220~396 lbs

TEST 12
P.698

TG

CASTERS & LEVELING GLIDES

LEVELING GLIDES

- Low profile leveling glide.
- Knurled rim for easy adjustment.
- Easy installation with phillips screw driver.



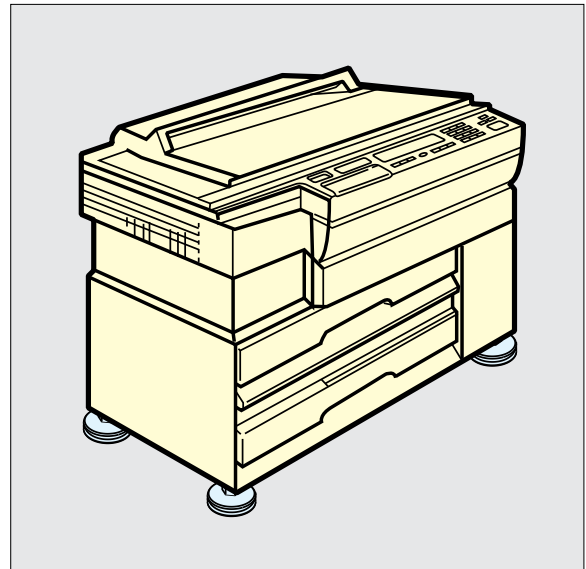
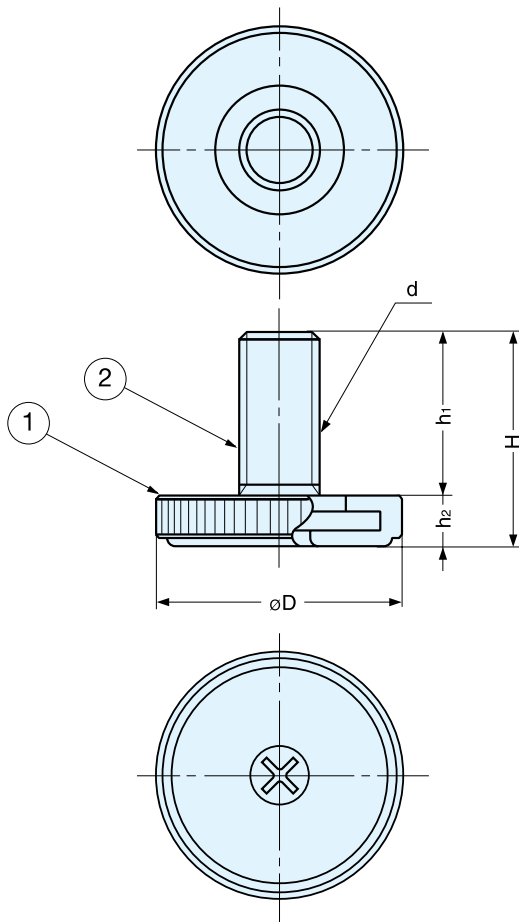
TG-40



TG-30WT



TG-20



Installation

No.	Part Name	Material	Finish
①	Base	Polyamide	Dark Grey/White
②	Bolt	Steel	Clear Zinc Chromate

Item No.		D	H	h ₁	h ₂	d	Load Capacity	Weight (g)	Box (pcs)	Carton (pcs)
Dark Grey	White									
TG-20	TG-20WT	25/32" (20 mm)	27/32" (21 mm)	19/32" (15 mm)	1/4" (6 mm)	M8x1.25	220 lbs (100 kg)	11	120	720
TG-30	TG-30WT	1-3/16" (30 mm)	1-1/32" (26 mm)	25/32" (20 mm)	1/4" (6 mm)	M10x1.5	330 lbs (150 kg)	25	100	600
TG-40	TG-40WT	1-9/16" (40 mm)	1-1/32" (26 mm)	25/32" (20 mm)	61/4" (6 mm)	M10x1.5	396 lbs (180 kg)	36	60	360