

# QUICK RELEASE PANEL FASTENER



## SX-48

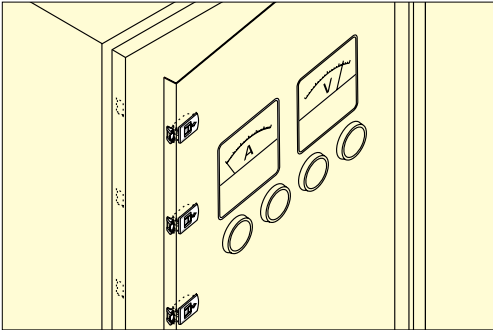
CATCHES & LATCHES

BOX LATCHES / QUICK RELEASE PANEL FASTENERS

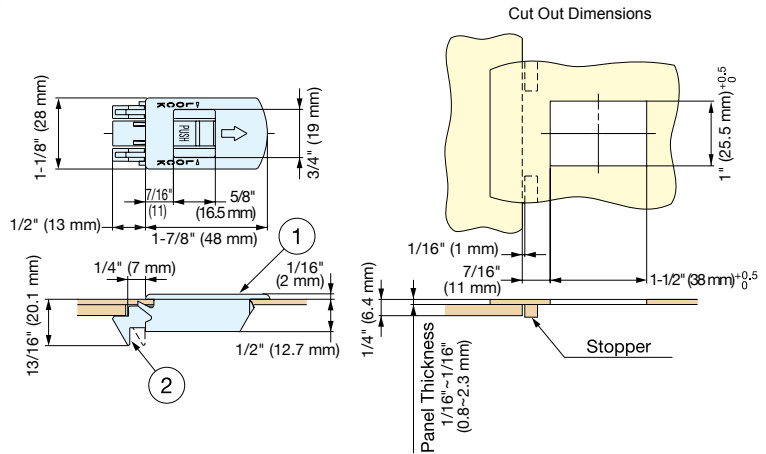
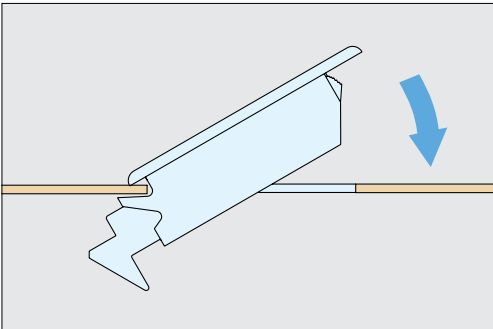


- Snap-in installation.
- Automatically latches when the panel is closed.
- Release multiple latches simultaneously with temporary hold-open feature. (No need to hold finger on latch when releasing)
- Components are plastic and 304 stainless steel to provide high corrosion resistance.
- Nonflammable.

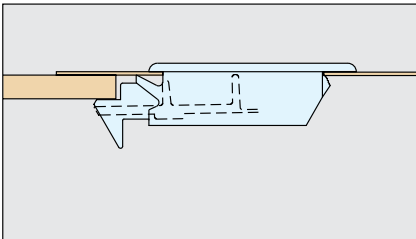
Use multiple latches.



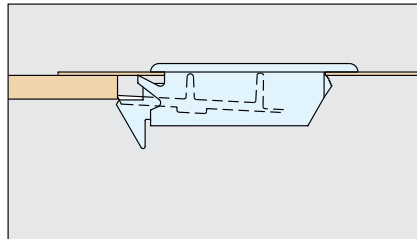
Snap into panel.



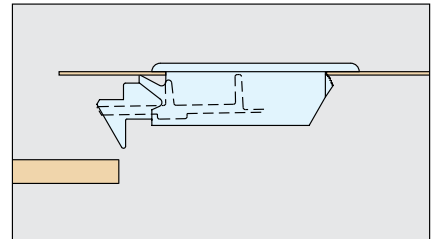
Operation



Locks when panel is closed.



**Hold-Open Feature**  
 Each latch will hold in an opened position allowing user to release multiple latches at the same time.



Lever & latch is reset when the panel opens.

Item No.	Panel Thickness	Retainig Force	Weight (g)	Box (pcs)	Carton (pcs)
SX-48	1/32"~3/32" (0.8~2.3 mm)	12 lbs (5kg)	11	40	400

No.	Part Name	Material	Finish
①	Case	Polyamide (UL94V-0)	Black
②	Latch	Polyacetal (UL94HB)	
-	Spring	304 Stainless Steel	-