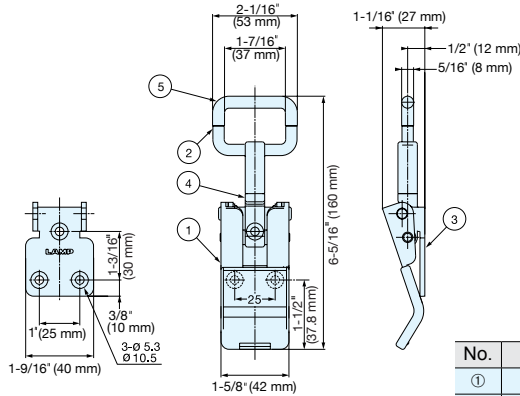


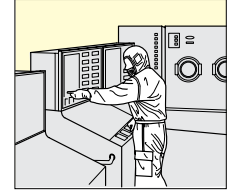
CLEAN ROOM DRAW LATCH



STF-CV150



- No metal-to-metal contact.
- Ideal for clean room, semiconductor, and food industry applications.
- When used in combination with the TF40C counter plate (below), will have 727 lbs (330 kg) load capacity.



Item No.	Load Capacity	Weight (g)	Finish
STF-CV150	727 lbs (330 kg)	248	Satin
STF-CV150M			Mirror

No.	Part Name	Material
①	Handle	316 Stainless Steel
②	Hook	SCS14 Stainless Steel (Similar to SUS316)
③	Base	316 Stainless Steel
④	Hook Screw	SCS14 Stainless Steel (Similar to SUS316)
⑤	Handle Cover	Polypropylene

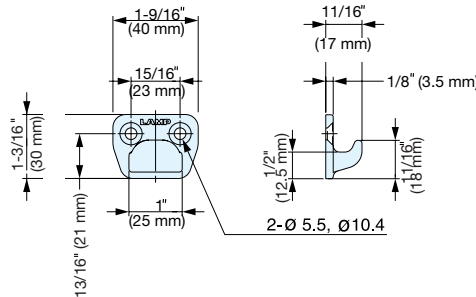
HEAVY DUTY COUNTERPLATE



TF-40C



TF40C-ST



- Heavy duty center plate for STF-CV150 clean room draw latch.

Item No.	Weight (g)	Box (pcs)	Carton (pcs)	Material	Finish
TF-40C-ST	48	5	20	SCS14 Stainless Steel (Similar to SUS316)	Satin
TF-40C-STM					Mirror

CLEAN ROOM MAGNETIC CATCHES



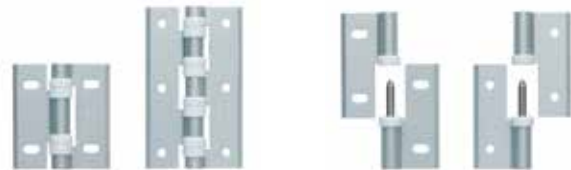
MC-JM45
(See P.104 for details)

MC-JMP45
(See P.108 for details)



MC-JM63G
(See P.104 for details)

CLEAN ROOM HINGES & STAY



HG-CV
(See P.228 for details)

HG-CV-65N
(See P.231 for details)



LB-CV215A
(See P.371 for details)