

# COMPRESSION DRAW LATCH

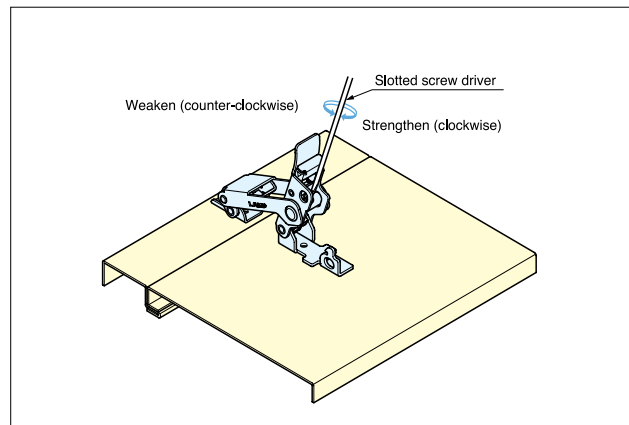
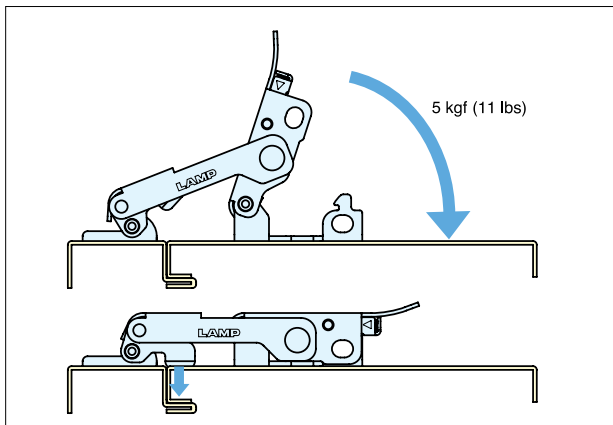
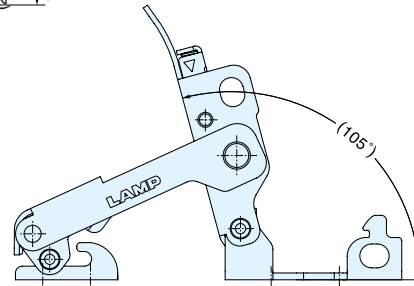
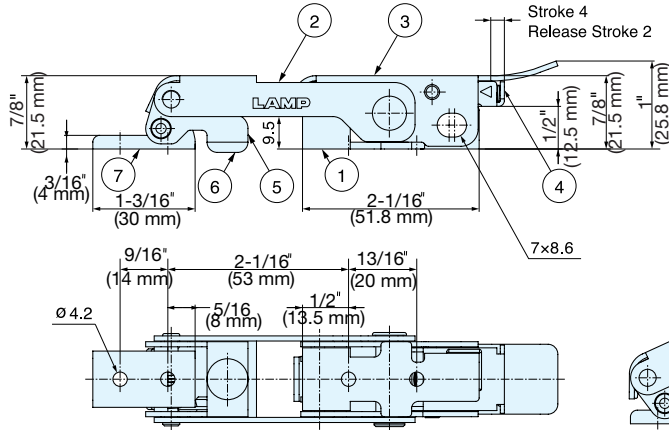
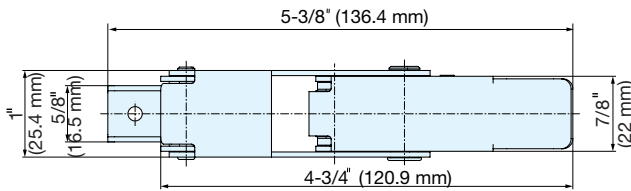


## STF-CP140

CATCHES & LATCHES

COMPRESSION DRAW LATCH

- Compression latching.
- Adjustable arm latch.
- Safety lock feature prevents accidental release.
- Provides consistent hold tension for secure latching.



No.	Part Name	Material	Finish/Color
①	Base	304 Stainless Steel	Polished
②	Arm		
③	Lever		
④	Safety Lock		
⑤	Compression Plate	EPDM	Black
⑥	Cushion	304 Stainless Steel	Polished
⑦	Counterplate		

Item No.	Load Capacity	Compression force
STF-CP140	134 lbs (61 kg)	55 lbs (25 kg)