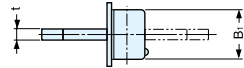
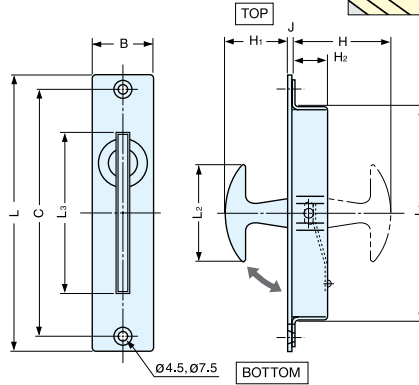
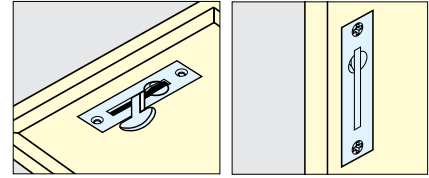


HATCH PULL



ST-90, 115

• Hold-in detent for undermount applications.



Material	Finish
304 Stainless Steel	Satin

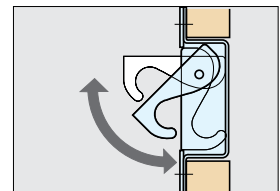
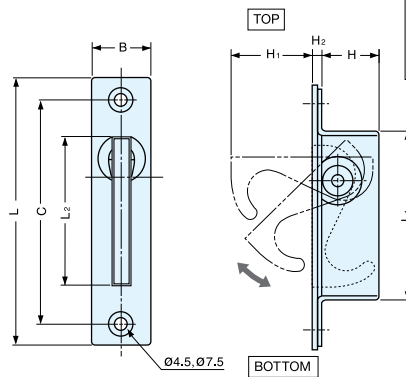
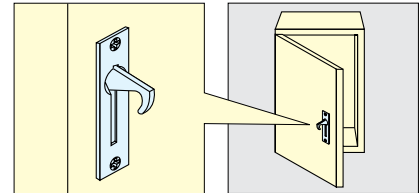
Item No.	L	L ₁	L ₂	L ₃	H	H ₁	H ₂	J	B	B ₁	t	C
ST-90	3-9/16" (90 mm)	2-5/8" (66.2 mm)	1-3/16" (30.2 mm)	2-1/4" (57 mm)	1-3/8" (35.5 mm)	15/16" (23.2 mm)	7/16" (10.5 mm)	1/16" (2.2 mm)	7/8" (22 mm)	3/4" (18.5 mm)	1/8" (3.8 mm)	3-1/8" (80 mm)
ST-115	4-1/2" (115 mm)	3-3/8" (86.2 mm)	1-9/16" (40 mm)	2-5/8" (67 mm)	1-5/8" (42 mm)	1" (26 mm)	1/2" (13 mm)	1/8" (2.5 mm)	1" (25 mm)	13/16" (20 mm)	3/16" (4 mm)	4" (102 mm)

Item No.	Weight (g)	Box (pcs)	Carton (pcs)	Screw
ST-90	68	30	300	3.5 × 22
ST-115	102	20	200	3.5 × 25

HATCH PULL



ST-80, 100



Material	Finish
304 Stainless Steel	Satin

Item No.	L	L ₁	L ₂	H	H ₁	H ₂	B	B ₁	t	C
ST-80	3-1/8" (80 mm)	2" (50 mm)	1-3/4" (44 mm)	11/16" (18 mm)	1" (25 mm)	1/16" (2 mm)	11/16" (18 mm)	9/16" (15 mm)	3/16" (5 mm)	2-11/16" (68 mm)
ST-100	3-15/16" (100 mm)	2-1/2" (63 mm)	2-1/8" (54 mm)	13/16" (21 mm)	1-1/4" (32 mm)		13/16" (20 mm)			3-3/8" (85 mm)

Item No.	Weight (g)	Box (pcs)	Carton (pcs)	Screw
ST-80	48	30	300	3.5 × 16
ST-100	66	20	200	3.5 × 20