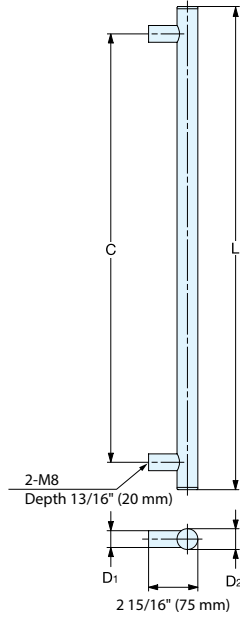


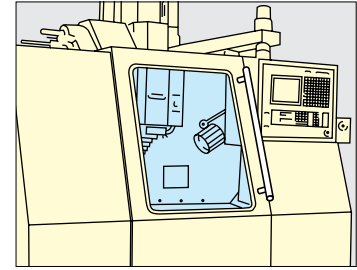
# LARGE HANDLE



## SSH



- Ideal in high corrosive environments and machinery applications.
- Designed for applications where a heavy duty handle is required.
- Recommended screw size: M8



Material	Finish
304 Stainless Steel	Satin

Item No.	L	C	D <sub>1</sub>	D <sub>2</sub>	Weight (g)	Box (pcs)	Carton (pcs)
SSH-2540	15-3/4" (400 mm)	12-7/16" (316 mm)	3/4" (19)	1" (25)	665	10	100
SSH-2560	23-5/8" (600 mm)	20-5/16" (516 mm)			750		
SSH-2580	31-1/2" (800 mm)	28-3/16" (716 mm)			840		
SSH-3240	15-3/4" (400 mm)	12-7/16" (316 mm)	1" (25)	1-1/4" (32)	1175	5	50
SSH-3260	23-5/8" (600 mm)	20-5/16" (516 mm)			1290		
SSH-3280	31-1/2" (800 mm)	28-3/16" (716 mm)			1400		

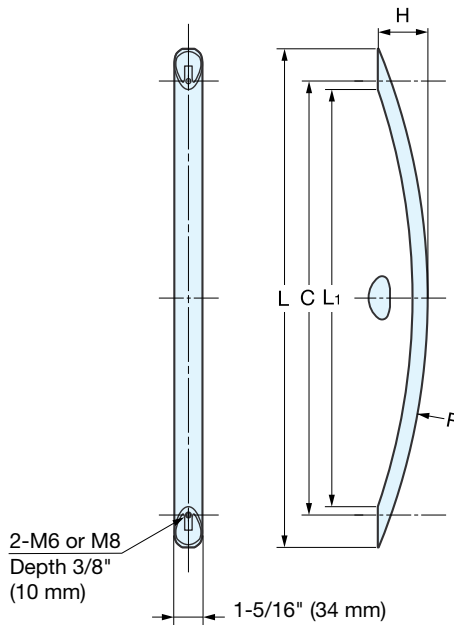
# ALUMINUM LARGE HANDLE



## SOR



Black (BL) Anodized (S)



- Ideal for machinery applications where a large handle is required.
- Recommended screw size:  
M6 (400 and 600)  
M8 (800)

Material	Finish
Aluminum	Anodized (S) Black (BL)

Item No.	L	L <sub>1</sub>	C	H	R	Weight (g)	Box (pcs)	Carton (pcs)
SOR-400/S	15-3/8" (390 mm)	12-3/4" (323 mm)	13-3/16" (335 mm)	2-3/8" (60 mm)	13-3/4" (350 mm)	385	30	300
SOR-600/S	23-5/8" (600 mm)	19-3/4" (502 mm)	20-9/16" (522 mm)		31-1/8" (790 mm)	495	20	200
SOR-800/S	32-1/8" (816 mm)	27" (686 mm)	27-15/16" (710 mm)		56-11/16" (1440 mm)	605	15	150