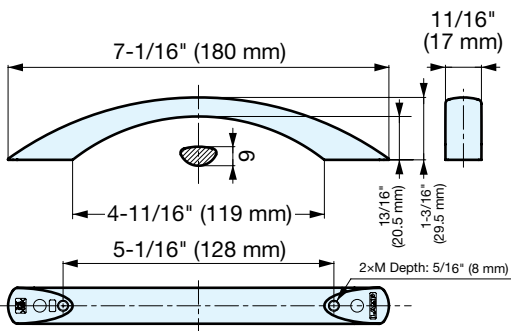


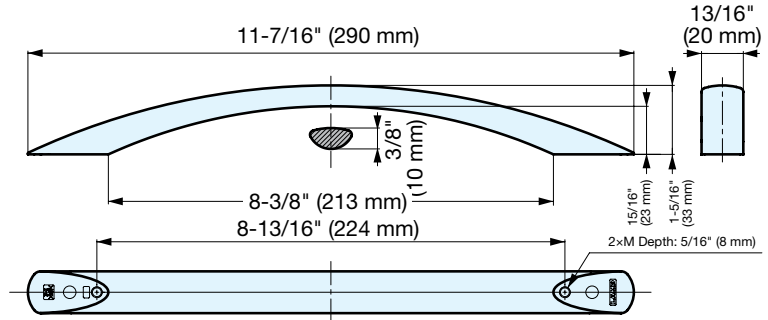
LARGE HANDLE



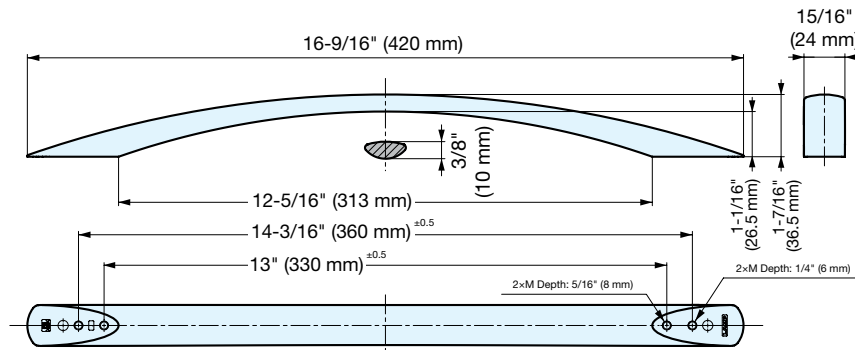
- Silver ion coated handle, ideal for medical and food equipment.
- Sleek, curved design with low profile.
- Available in three sizes and two colors to suit application requirements.



SRH-128



SRH-224



SRH-330

Material	Finish/Color
Aluminum	Anodized (S)/Black (BL)

Item No.	L	L ₁	C	H	Weight (g)	Box (pcs)	CTN (pcs)
SRH-128SL-M4	SRH-128BL-M4	7-1/16" (180 mm)	4-11/16" (119 mm)	5-1/16" (128 mm)	1-3/16" (29.5 mm)	68	80
SRH-224SL-M4	SRH-224BL-M4	11-7/16" (290 mm)	8-3/8" (213 mm)	8-13/16" (224 mm)	1-5/16" (33 mm)	130	
SRH-330SL-M4	SRH-330BL-M4	16-9/16" (420 mm)	12-5/16" (313 mm)	14-3/16" (360 mm)	1-7/16" (36.5 mm)	233	40