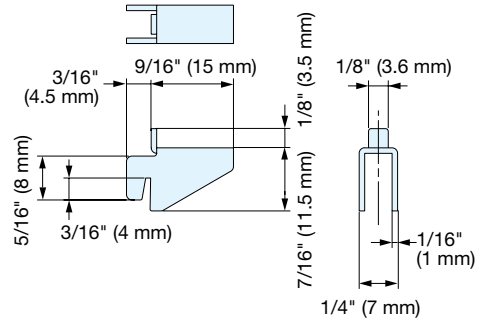


SHELF SUPPORT



SPH-15

• Shelf support for SPH-1820.



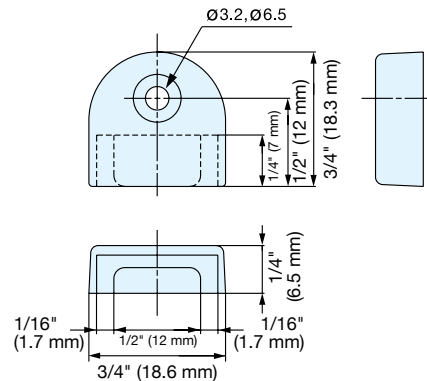
Item No.	Load Capacity /4 pcs	Weight (g)	Box (pcs)	Carton (pcs)	Material	Finish
SPH-15	286 lbs (130 kg)	2.6	400	4000	304 Stainless Steel	Satin

END CAP



SP-18E

• End cover cap for SPH, SM, SP, SPW shelf standards.



Item No.	Weight (g)	Box (pcs)	Carton (pcs)	Material	Color
SP-18E/BLK	1.3	500	5000	ABS	Black (BLK), White (WHT)
SP-18E/WHT					