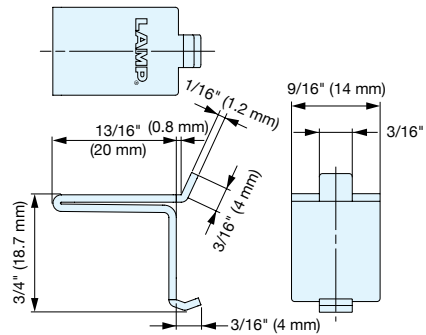


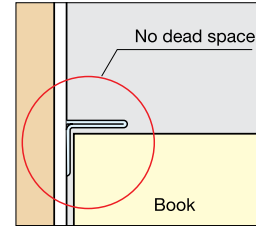
SHELF SUPPORT



SPF-20



- Shelf support for SP-1820.
- Designed to eliminate dead space.



Installation

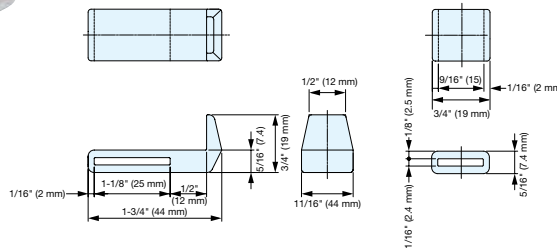
| Item No. | Load Capacity (kg) | Weight (g) | Box (pcs) | Carton (pcs) |
|----------|-----------------------|------------|-----------|--------------|
| SPF-20 | 176 lbs (80 kg)/4 pcs | 7 | 300 | 3000 |
| SPF-20WT | | | | |

| Material | Finish/Color |
|---------------------|--------------|
| 304 Stainless Steel | Satin, White |

SHELF HOLDER

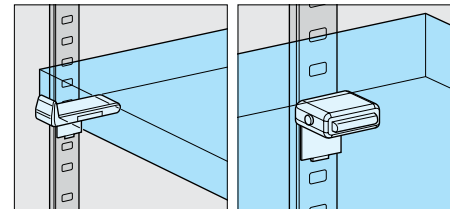


SPF-20A



- Plastic holder to keep the shelf in position.
- Used together with SPF-20. (sold separately)
- Distance from center of front shelf support to front shelf edge is 11/16"~1-3/16" (18~30 mm). (adjustable)
- One each of front and back holder sold as set.

Sample Installation



Front

Back

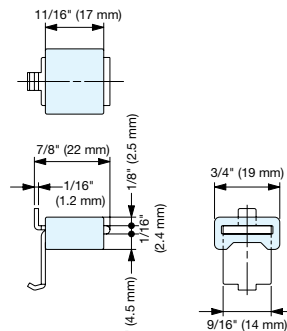
| Item No. | Weight (g) | Box (pcs) | Carton (pcs) |
|----------|------------|-----------|--------------|
| SPF-20A | 4 | 100 | 2500 |

| Material | Color |
|--------------|-------|
| Polyethylene | White |

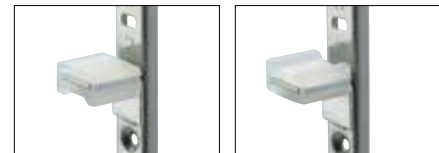
SHELF SUPPORT WITH LEVELING CAP



SPF-20LC



- Includes both shelf support (SPF-20) & leveling cap.
- Shelf level can be adjusted by flipping over the cap.



| Item No. | Weight (g) | Box (pcs) | Carton (pcs) |
|----------|------------|-----------|--------------|
| SPF-20LC | 9.5 | 200 | 2000 |

| Part Name | Material | Finish/Color |
|-----------|---------------------|--------------|
| Cap | Silicone | Milky White |
| Body | 304 Stainless Steel | Satin |