

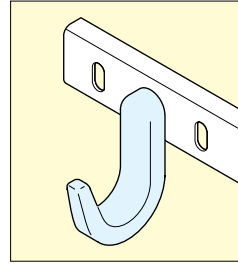
# SHELF HOOK



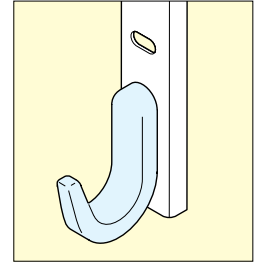
# SPB-35



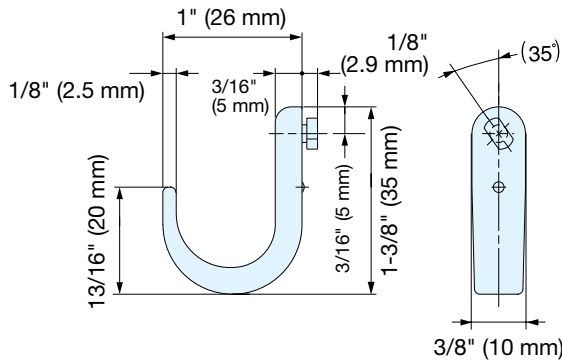
- Hook for SP-1820.
- Can be used with a vertical or horizontal standard.



Installation



Installed



Item No.	Load Capacity /pc	Weight (g)	Box (pcs)	Carton (pcs)
SPB-35	11 lbs (5 kg)	15.5	150	450

Material	Finish
Zinc Alloy	Nickel

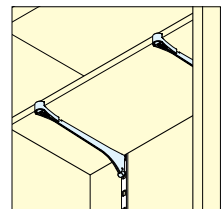
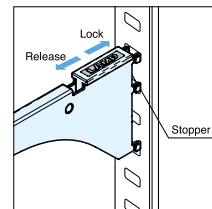
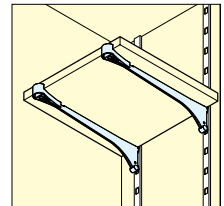
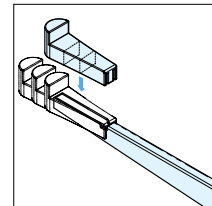
# BRACKET



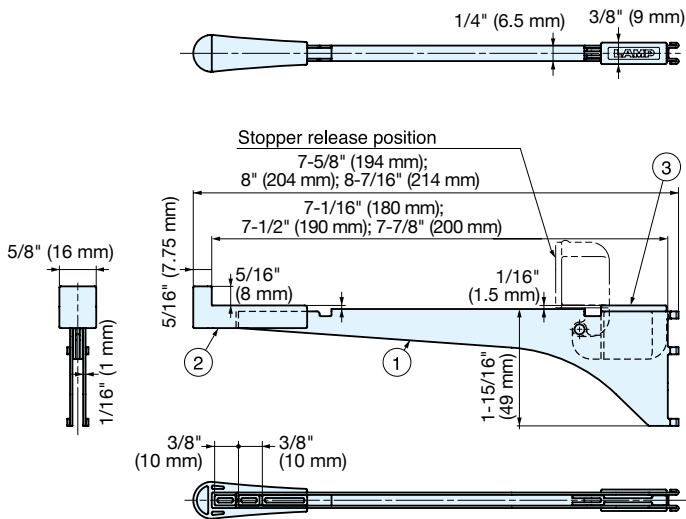
# SPB-200



- For SP and SPS series shelf standards.
- Use 2 or 3 pcs for installing 1 shelf.
- With holder to simply fix shelf.
- Able to adjust depth in 3 different positions.
- With drop off prevention function.
- Can be used with a glass shelf.
- Maximum size of shelf board is With 900 x Depth 200.



Installation



No.	Part Name	Material	Finish/Color
①	Main Body	304 Stainless Steel	Satin
②	Shelf Retainer Clip	Polypropylene	White
③	Base Hook		

Item No.	Load Capacity /2pcs	Load Capacity /3pcs	Weight (g)	Box (pcs)	Carton (pcs)
SPB-200	22 lbs (10 kg)	33 lbs (15 kg)	65	50	200