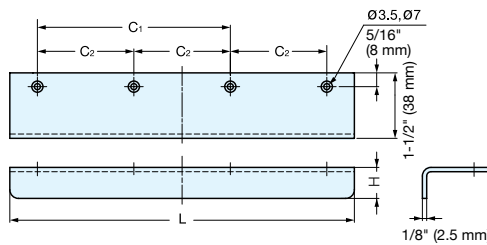


EDGE PULL



SN



- Complete stainless steel construction.
- Contemporary edge pull used in bathrooms, kitchens or outdoor cabinetry.

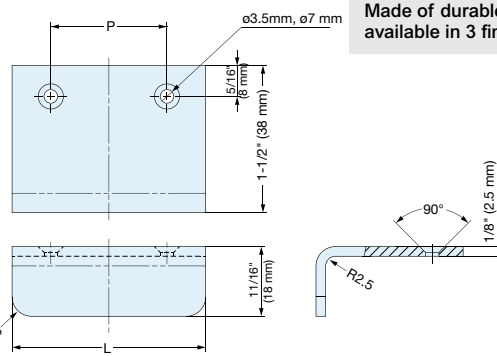
Material	Finish
304 Stainless Steel	Mirror (M) Satin (S) Matte Black (BL)

Item No.			L	C ₁	C ₂	H	Holes	Weight (g)	Box (pcs)	Carton (pcs)
SN-50/M*	SN-50/S*	SN-50/BL	2" (50 mm)	1-3/16" (30 mm)	-	11/16" (18 mm)	2	47	40	400
SN-70/M*	SN-70/S*	SN-70/BL	2-3/4" (70 mm)	1-13/16" (46 mm)	-			65	30	300
SN-95/M*	SN-95/S*	SN-95/BL	3-3/4" (95 mm)	2-9/16" (65 mm)	-		3	90	20	200
SN-120/M*	SN-120/S*	SN-120/BL	4-3/4" (120 mm)	3-9/16" (90 mm)	1-3/4" (45 mm)			112		
SN-150/M*	SN-150/S*	SN-150/BL	5-15/16" (150 mm)	4-1/2" (114 mm)	2-1/4" (57 mm)	4	147	15	150	
SN-200/M	SN-200/S	SN-200/BL	7-7/8" (200 mm)	4-7/16" (112 mm)	2-3/16" (56 mm)		200		60	
SN-300/M	SN-300/S	SN-300/BL	11-13/16" (300 mm)	7-1/16" (180 mm)	3-9/16" (90 mm)		300	10	40	

* NSF Component

EDGE PULL

SNB



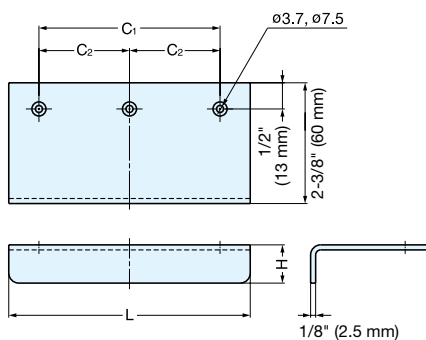
Made of durable brass available in 3 finishes

Item No.			L	P	Weight (g)	Box (pcs)	Carton (pcs)	Material	Finish
SNB-50/BB	SNB-50/SB	SNB-50/AB	2" (50 mm)	1-3/16" (30 mm)	50	20	200	Brass	Bright Brass (BB) Satin Brass (SB) Antique Brass (AB)
SNB-70/BB	SNB-70/SB	SNB-70/AB	2-3/4" (70 mm)	1-13/16" (46 mm)	70	20	100		
SNB-95/BB	SNB-95/SB	SNB-95/AB	3-3/4" (95 mm)	2-9/16" (65 mm)	95	20	100		

EDGE PULL



SND



Material	Finish
304 Stainless Steel	Mirror

Item No.	L	C ₁	C ₂	H	Weight (g)	Box (pcs)	Carton (pcs)
SND-50/M*	2" (50 mm)	1-3/16" (30 mm)	-	11/16" (17 mm)	67	10	200
SND-70/M*	2-3/4" (70 mm)	1-13/16" (46 mm)	-	11/16" (18 mm)	95		
SND-95/M*	3-3/4" (95 mm)	2-9/16" (65 mm)	-	11/16" (18 mm)	130	5	100
SND-120/M	4-3/4" (120 mm)	3-9/16" (90 mm)	1-3/4" (45 mm)	3/4" (19 mm)	166		
SND-150/M	5-15/16" (150 mm)	4-1/2" (114 mm)	2-1/4" (57 mm)	3/4" (19 mm)	208		

* NSF Component