

EASY LIFT-UP STAY



SLS-ELAN

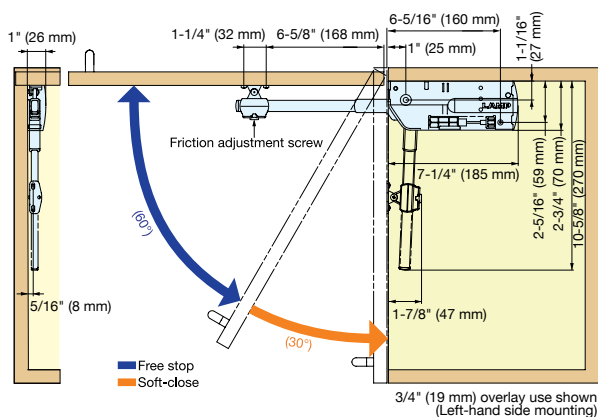


360-26/19T
360-P4W-32T
(Sold separately)

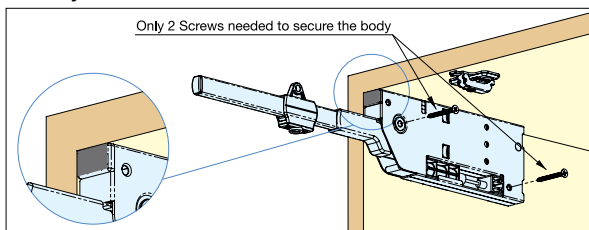
- For UPWARD-OPENING FLAP DOOR used with concealed, piano, butt, or drop hinges.
- Designed to provide effortless opening and hold door in closed and opened position.
- Damper equipped for soft & silent closing.
- Optional bracket for aluminum frame door available.
- Single or pair use allows wide range of door sizes/weights.
- Handed left or right.

Door Weight Range Table (lbs.)

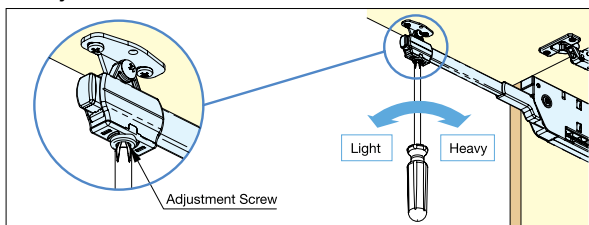
Door Height (inch)	Single use				Pair use			
	M-type		H-type		M-type		H-type	
	Min	Max	Min	Max	Min	Max	Min	Max
12"	8.0	10.8	10.8	14.5	16.0	21.7	21.7	29.0
13"	7.4	10.0	10.0	13.4	14.8	20.0	20.0	26.8
14"	6.9	9.3	9.3	12.4	13.7	18.6	18.6	24.9
15"	6.4	8.7	8.7	11.6	12.8	17.3	17.3	23.2
16"	6.0	8.1	8.1	10.9	12.0	16.3	16.3	21.8
17"	5.6	7.6	7.6	10.2	11.3	15.3	15.3	20.5
18"	5.3	7.2	7.2	9.7	10.7	14.4	14.4	19.3
19"	5.1	6.8	6.8	9.2	10.1	13.7	13.7	18.3
20"	4.8	6.5	6.5	8.7	9.6	13.0	13.0	17.4
21"	4.6	6.2	6.2	8.3	9.1	12.4	12.4	16.6
22"	4.4	5.9	5.9	7.9	8.7	11.8	11.8	15.8
23"	4.2	5.7	5.7	7.6	8.3	11.3	11.3	15.1
24"	4.0	5.4	5.4	7.3	8.0	10.8	10.8	14.5
25"	3.8	5.2	5.2	7.0	7.7	10.4	10.4	13.9
26"	3.7	5.0	5.0	6.7	7.4	10.0	10.0	13.4
27"	3.6	4.8	4.8	6.4	7.1	9.6	9.6	12.9
28"	3.4	4.6	4.6	6.2	6.9	9.3	9.3	12.4



Easy Installation



Adjustment



*Single or pair use depending on door size and weight.



Face Frame Bracket: FFCB-SLS
(Sold separately, see P.344)

Item No.	Type	Torque per piece	Material	Finish/Color	Weight (g)	Box (pcs)	Carton (pcs)
SLS-ELAN-MR	Right	48~65 lbs-in (55~75 kg-cm)	• Aluminum • Steel • ABS	• Anodized • Galvanized • Light Grey	600	20	100
SLS-ELAN-ML	Left						
SLS-ELAN-HR	Right	65~87 lbs-in (75~100 kg-cm)					
SLS-ELAN-HL	Left						