

# VERTICAL SWING DOWN MECHANISM



## SLDL

LID SUPPORTS

SWING DOWN MECHANISM



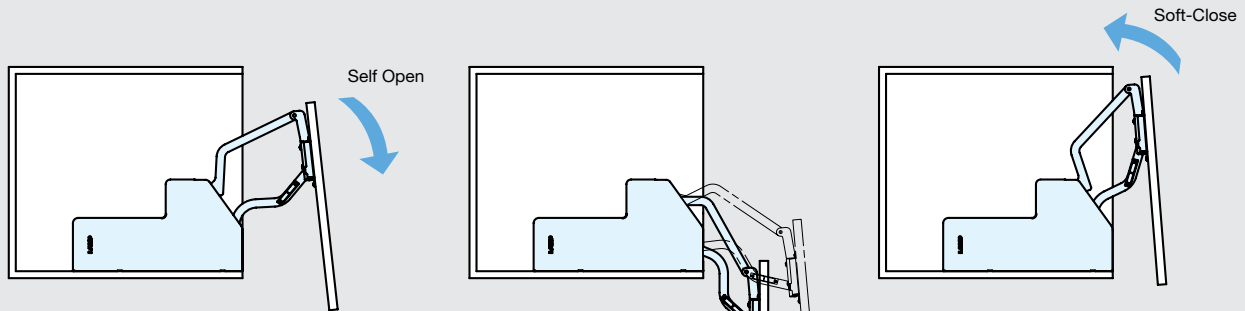
- For taller, heavier downward-opening doors.
- Unique swing down mechanism.
- The spring gently opens the door after pulling it forward 4-3/4" ~ 5-15/16" (120 ~ 150 mm).
- Soft closes to prevent slamming.
- Adjustable lift-assist feature refine's the opening force to best match your door's size and weight.
- Adjustments are easily accessible making maintenance simple.
- 3-Way adjustability:  
Vertical +/- 1/4" (6 mm)  
Horizontal +/- 1/8" (2.5 mm)  
Tilt +/- 5°

Body

Body Cover (Sold separately)



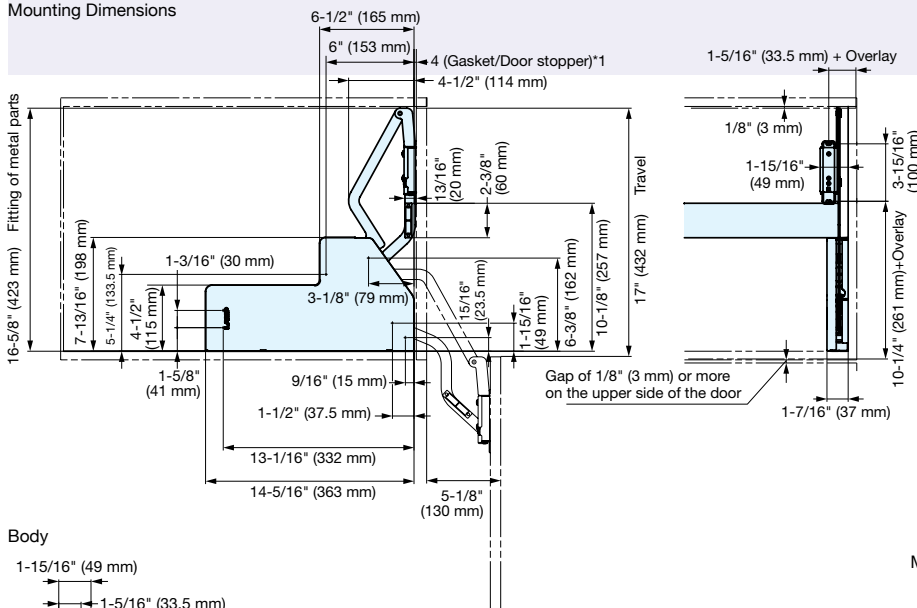
Application Example



How to Open	Movement Features	Door Material	Door Weight
	<b>OPEN</b> Downward Assist	Wood	6.6~14 lbs (3~6.5 kg) Per 1 set
	<b>CLOSE</b> Lift-Assist/ Soft-Close		

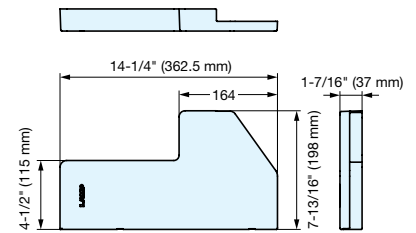
Shockless

**Mounting Dimensions**

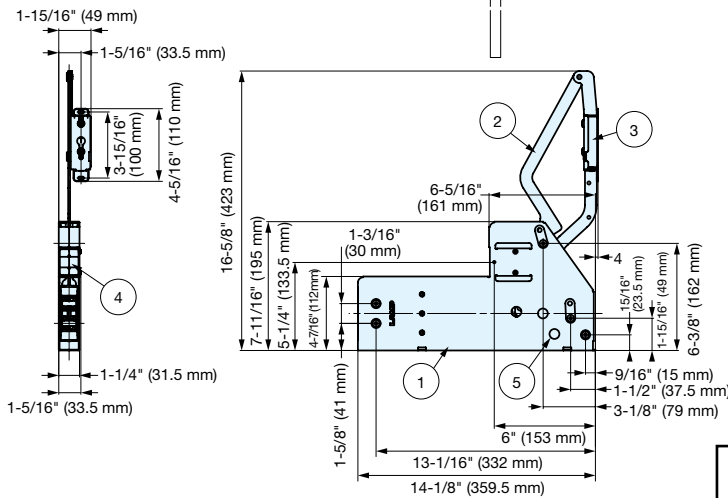


- \*1: If not using a gasket/door stopper, please shift the body 3/16" (4 mm) towards the back panel.
- \*2: The maximum door protrusion when opening and closing is approximately (250 mm).
- \*3: Total travel of the door is 17" (432 mm).

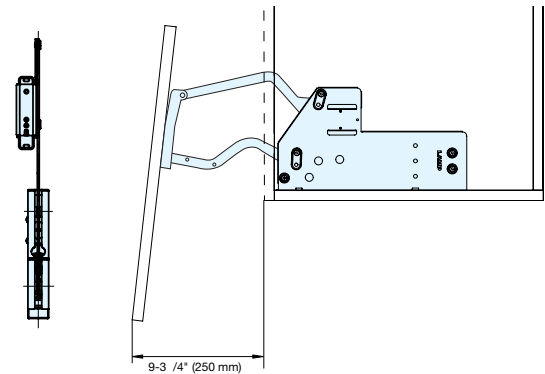
**Body Cover (Sold separately)**



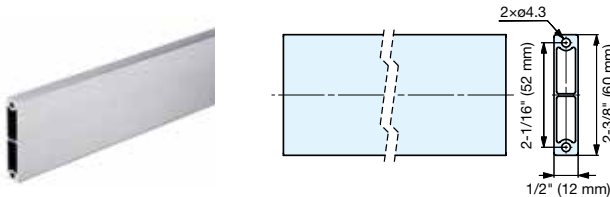
**Body**



**Maximum Projection**



**Connecting Bar (Sold separately)**



**How to Order**

- 1) Select a body.
- 2) Select a body cover.
- 3) Select a Connecting Bar.

- The Connecting Bar comes in three lengths, for door widths of 23-5/8" (600 mm), 29-1/2" (750 mm), and 35-7/16" (900 mm).
- Use the standard length Connecting Bar when the door overlay on the side panel is 9/16" (15 mm). For door overlays exceeding 9/16" (15 mm), cut the Connecting Bar to length using the calculation formula provided below.

Length of the Connecting Bar = Door width - (Overlay x 2) - 1-3/8" (35 mm)  
Or, please calculate as follows below.  
Length of the Connecting Bar = Cabinet internal width - 1-3/8" (35 mm)

**Body Cover (Sold Separately)**

Item No.	Material	Color
SLUL-C-WT	ABS	White
SLUL-C-DGR		Dark Grey

This product is sold as 1 set. The order quantity is "1", which includes one piece of the left and right.

**Body**

Item No.	Material	Finish	Door Width	Door Height	Door Weight
SLDL-5	Steel	Nickel	Max. 35-7/16" (900 mm)	16-9/16" ~ 17-3/4" (420 ~ 450 mm)	6.6 ~ 11 lbs (3 ~ 5 kg)
SLDL-6					11 ~ 14 lbs (5 ~ 6.5 kg)

This product is sold as 1 set. The order quantity is "1", which includes one piece of the left and right.

**Connecting Bar (Sold separately)**

Item No.	Door Width	Material	Finish	Bar Length
SLUL-B535	23-5/8" (600 mm)	Aluminum Alloy	Anodized	21-1/16" (535 mm)
SLUL-B685	29-1/2" (750 mm)			27" (685 mm)
SLUL-B835	35-7/16" (900 mm)			32-7/8" (835 mm)