

SOFT-DOWN STAY



SDS-C301N

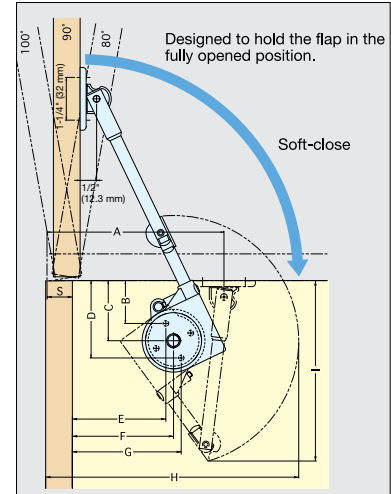


360-26/19T
360-P4W-32T
(Sold separately)

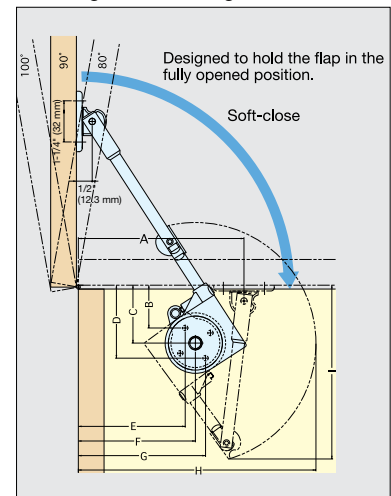
SDS-C301N/WHIT

- For TOP-OPENING FLAP DOOR used with concealed, piano or butt hinges.
- Designed to hold door in fully opened position.
- Non-handed.
- Available in black or white.

With Concealed Hinge



With Single Knuckle Hinge



Concealed Hinge

Opening angle	A	B	C	D	E	F	G	H	I
80°	5-9/16" (141)	1-1/4" (31.9)	1-3/4" (45)	2-5/16" (58.1)	3-7/8" (98.2)-S	4-1/16" (103.5)-S	4-1/4" (108.8)-S	7-3/4" (197.5)	5-5/16" (134.8)
90°	5-1/4" (132.5)	1-1/4" (32.3)		2-1/4" (57.7)	3-1/2" (88.7)-S	3-3/4" (95)-S	4" (101.3)-S	7-7/16" (189)	
100°	5" (126.5)	1-5/16" (32.9)		2-1/4" (57.1)	3-3/16" (81.2)-S	3-1/2" (88.5)-S	3-3/4" (95.8)-S	7-3/16" (182.5)	

() units in mm

Single Knuckle Hinge/Overlay Type

S=Overlay Coverage

Opening angle	A	B	C	D	E	F	G	H	I
80°	5-7/16" (138.5)	1-1/4" (32.6)	1-3/4" (45)	2-1/4" (57.4)	3-11/16" (94.1)	4" (101)	4-1/4" (107.9)	7-11/16" (195)	5-5/16" (134.8)
90°	5-1/16" (128.5)	1-5/16" (33.2)		2-1/4" (56.8)	3-1/4" (83.1)	3-9/16" (91)	3-7/8" (98.9)	7-1/4" (185)	
100°	4-3/4" (121.5)	1-5/16" (33.9)		2-3/16" (56.1)	2-15/16" (75.2)	3-5/16" (84)	3-5/8" (92.8)	7" (178)	

() units in mm

Single Knuckle Hinge/Inset Type

Opening angle	A	B	C	D	E	F	G	H	I
80°	5-1/16" (129)	1-1/4" (31.7)	1-3/4" (45)	2-5/16" (58.3)	3-7/16" (86.7)	3-5/8" (91.5)	3-13/16" (96.3)	7-5/16" (185.5)	5-5/16" (134.8)
90°	4-11/16" (118.5)	1-1/4" (32)		2-1/4" (58)	2-15/16" (75.3)	3-3/16" (81)	3-7/16" (86.7)	6-7/8" (175)	
100°	4-3/8" (111)	1-1/4" (32.5)		2-1/4" (57.5)	2-5/8" (67)	2-7/8" (73.5)	3-1/80" (80)	6-9/16" (167.5)	

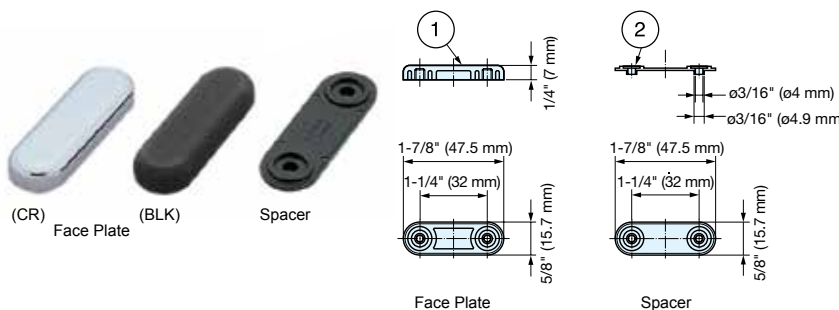
() units in mm

Material	Finish/Color
Steel, Zinc Alloy	Nickel
Plastic	Black, White

SDS FACE PLATE



SDS-50G



- Cover plate for glass door applications.
- To be used with SDS HDS, or NSDX soft-down stays.
- Screws and spacer included.

No.	Part Name	Material	Finish/Color
①	Face Plate	Zinc Alloy	Chrome (CR) Black (BLK)
②	Spacer	ABS	Black

Item No.	Weight (g)	Box	Carton
SDS-50G/BLK	25	100	400
SDS-50G/CR			