

SOFT-DOWN STAY



SDS-C100



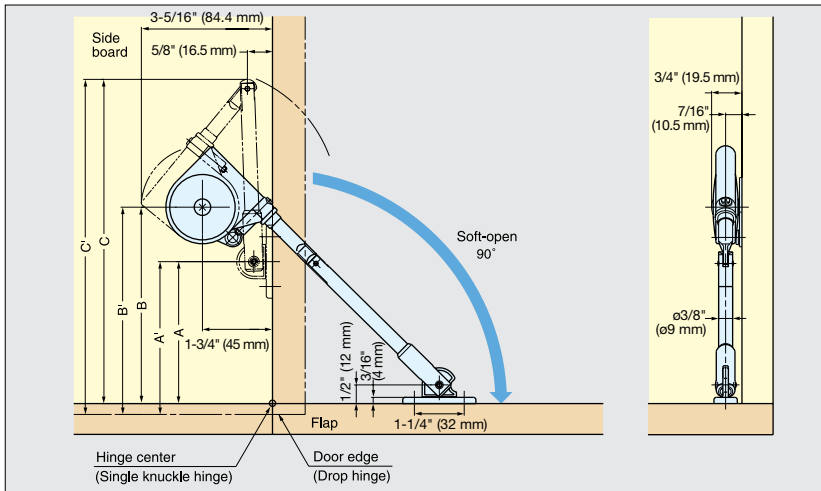
- For DOWNWARD-OPENING FLAP DOOR used with piano, butt or drop hinges (SDH-001, SDH-P, P.238).
- SDS-C100 (with catch) is designed to hold door in closed position.
- SDS-100 does not have a catch feature. Designed to be used with a magnetic catch or touch latch.
- Non-handed.
- Torque Calculation:
 $\text{Torque} = \text{Door Height} \times 0.5 \times \text{Door Weight}$
 Per Piece: 30~43 lbs-inch (35~50 kg-cm)
 Per Pair: 60~86 lbs-inch (70~100 kg-cm)
- Short-arm version SDS-100TV (or C100TV) for smaller door height available.



White



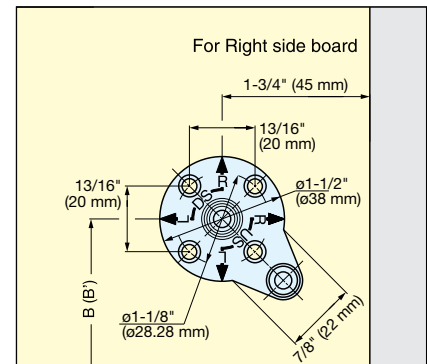
Black



Mounting Plate SDS-A (Included)



Face Frame Bracket: FFCB-SD-1 (Sold separately, see P.345)



Hinge Type	A	A'	B	B'	C	C'
Single Knuckle Hinge	3-15/16" (100 mm)	-	5-5/16" (135 mm)	-	8-9/16" (218 mm)	-
Drop Hinge*	-	4-3/16" (107 mm)	-	5-9/16" (142 mm)	-	8-7/8" (225 mm)

*Overlay: 5/8" (16 mm)

Item No.	Color	Weight (g)	Box (pcs)	Carton (pcs)	Material	Finish/Color
SDS-C100/WHT	White	167	20	100	Steel, Zinc Alloy	Nickel
SDS-C100/BLK	Black				Plastic	Black, White