

SOFT-DOWN STAY

SDS-200, SDS-210

LID SUPPORTS

SOFT-DOWN STAY



Mounting plate SDS-A for SDS-210



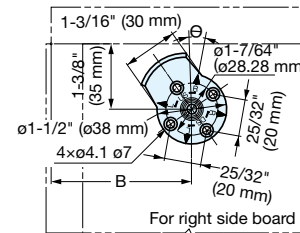
Mounting plate SDS-B for SDS-200

- For top-opening doors.
- Non-handed: Can be installed on left or right side.
- Designed to hold the door in fully opened position.
- Two types are available, depending on opening angle and type of hinge (sold separately).
 - SDS-200: Opening angle 70°, piano/butt hinge
 - SDS-210 (wide angle opening): Opening angle 105°, piano/butt hinge or concealed hinge

Opening Direction	Item Name	Description	Non-handed	Torque Per Piece
 Top-opening	SDS-200	With Catch	Yes	30.3~43.3 N·m/pc (35~50 kgf·cm)
	SDS-210	-		

Installation for Mounting Plate

SDS-200



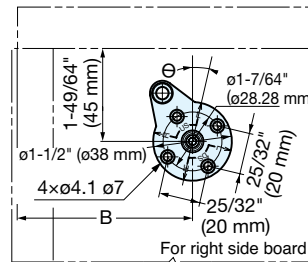
Full Overlay

Item No.	Hinge Type	Opening Angle	B	Θ
SDS-200	Single Knuckle Hinge	70°	2-61/64\"/>	
SDS-210	Single Knuckle Hinge	105°	3-3/16\"/>	
	Concealed Hinge 360-26/19T		3-27/64\"/>	

For right side board, install with the "→" mark of R at US side upwards.
For left side board, install with the "→" mark of L at US side upwards.

Installation for Mounting Plate

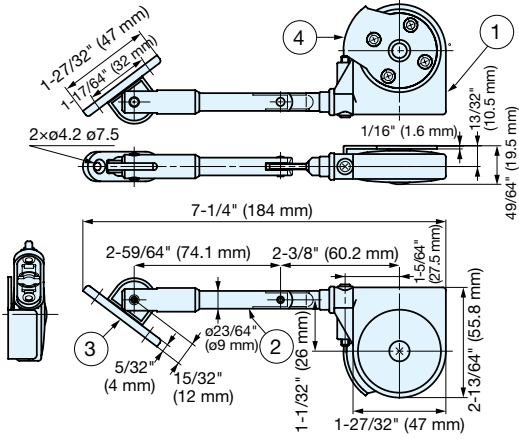
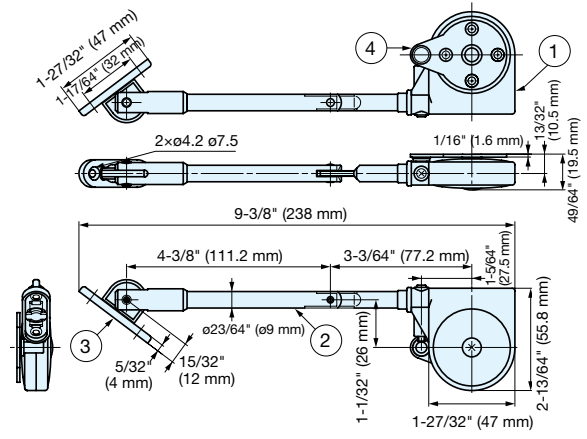
SDS-210



Inset (Door Thickness 20mm)

Item No.	Hinge Type	Opening Angle	B	Θ
SDS-200	Single Knuckle Hinge	70°	2-1/2\"/>	
SDS-210	Single Knuckle Hinge	105°	2-3/4\"/>	

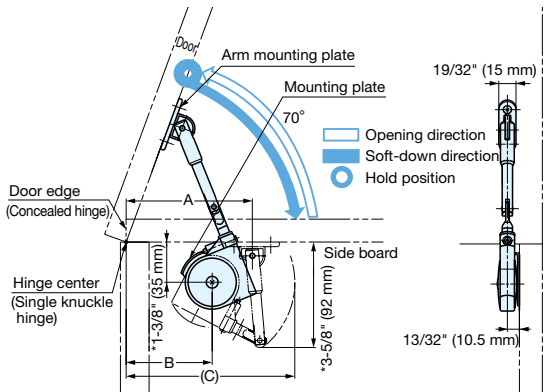
For right side board, install with the "→" mark of R at US side upwards.
For left side board, install with the "→" mark of L at US side upwards.


SDS-200

SDS-210

No.	Part Name	Material	Finish/Color
①	Body	ABS	White, Grey, Umber
②	Arm	Steel	Nickel
③	Arm Mounting Plate		
④	Mounting Plate		

Installation SDS-200

Right side installation for top-opening 70°. Left side installation is symmetrical. Comes down slowly and softly in closing direction. Installation with piano/butt hinge or concealed hinge shown below.

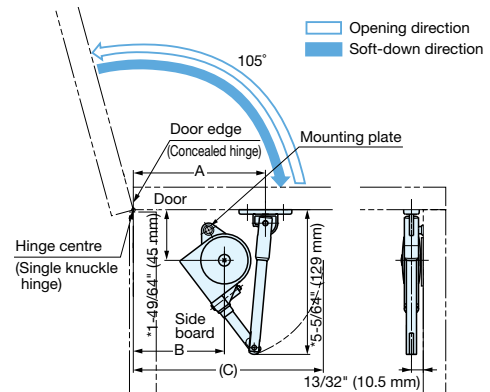


Installation dimensions vary depending on hinge type. Reference point of installation dimension (A, B, C) : hinge center for piano/butt hinge, while door edge for concealed hinge.

Reference point of (*) marked dimensions is the back side of door.

Installation SDS-210

Right side installation for top-opening 105°. Left side installation is symmetrical. Comes down slowly and softly in closing direction. Installation with piano/butt hinge or concealed hinge shown below.


Full Overlay

Item No.	Hinge Type	Opening Angle	A	B	C
SDS-200	Single Knuckle Hinge	70°	4-21/64" (110 mm)	2-61/64" (75 mm)	5-25/32" (147 mm)
SDS-210	Single Knuckle Hinge	105°	4-5/8" (117.5 mm)	3-3/16" (81 mm)	6-21/32" (169 mm)
	Concealed Hinge 360-26/19T		4-55/64" (123.5 mm)	3-27/64" (87 mm)	6-57/64" (175 mm)

Inset (Door Thickness 20mm)

Item No.	Hinge Type	Opening Angle	A	B	C
SDS-200	Single Knuckle Hinge	70°	3-7/8" (98.5 mm)	2-1/2" (63.5 mm)	5-5/16" (135 mm)
SDS-210	Single Knuckle Hinge	105°	4-17/64" (108.3 mm)	2-3/4" (70 mm)	6-3/16" (157.3 mm)

Body

Item No.	Material	Color	Torque per piece	Weight (g)	Box (pcs)	Carton (pcs)
SDS-200-W	Steel	Nickel/Grey	30.3~43.3 lbs-in (35~50 kgf-cm)	153	20	100
SDS-200-G		Nickel/Umber			20	100
SDS-200-U		Nickel/White			20	100
SDS-210-W		Nickel/Grey			20	100
SDS-210-G		Nickel/Umber			20	100
SDS-210-U		Nickel/White			20	100

SDS Face Plate and Spacer for Glass Door (Sold Separately)

Item No.	Material	Color	Weight (g)	Box (pcs)	Carton (pcs)
SDS-50G-CR	Zinc Alloy	Chrome/Black	25	50	200
SDS-50G-BL		Black Enamel Finish/Black		50	200