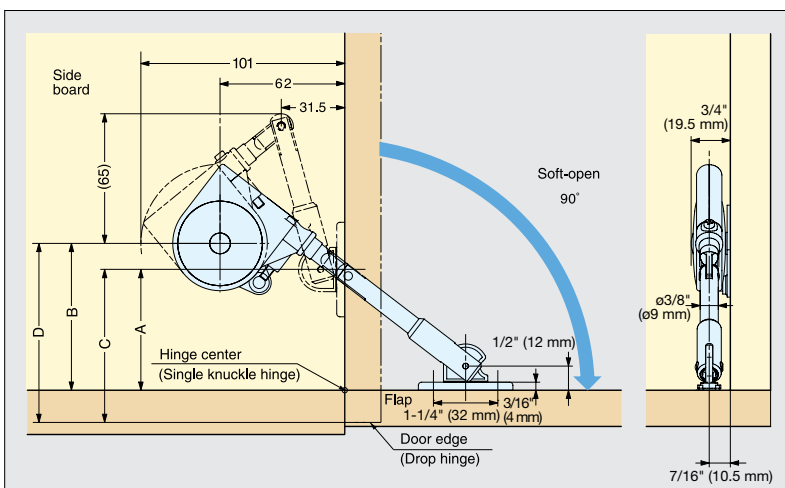
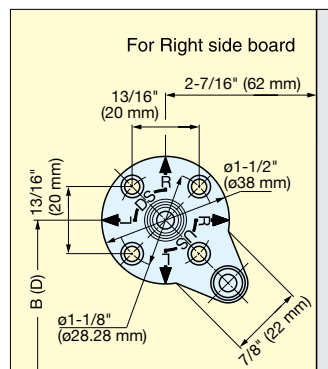
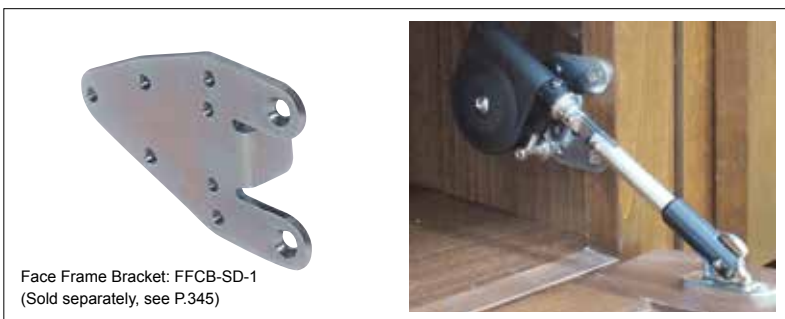




- For DOWNWARD-OPENING FLAP DOOR used with piano, butt or drop hinges (SDH-001, SDH-P, P.238).
- Short arm type designed for short door applications.
- SDS-C100TV has a catch to hold the lid in closed position.
- SDS-100TV does not have catch feature. Designed to be used with magnetic catch or touch latch.
- Non-handed.
- Torque Calculation :
Torque = Door Height × 0.5 × Door Weight



Mounting Plate SDS-A (Included)



Hinge Type	A	B	C	D
Single Knuckle Hinge	2-3/8" (60 mm)	2-7/8" (73 mm)	-	-
Drop Hinge	-	-	1-15/16" (49 mm)+S	2-7/16" (62 mm)+S

Material	Finish/Color
Steel, Zinc Alloy	Nickel
Plastic	Black, White

S=Overlay Coverage in case of drop hinge

Item No.	Type	Color	Torque per piece	Torque per pair	Box (pcs)	Carton (pcs)
SDS-100W-TV	W/O Catch	White	4.3~10.4 lbs·in (5~12 kgf·cm)	8.6~20.8 lbs·in (10~24 kgf·cm)	20	100
SDS-100B-TV		Black				
SDS-C100W-TV	With Catch	White	14.3~32.6 lbs·in (16.5~37.6 kgf·cm)	28.6~65.2 lbs·in (33~75.2 kgf·cm)		
SDS-C100B-TV		Black				
SDS-100W-TVZ	W/O Catch	White	14.3~32.6 lbs·in (16.5~37.6 kgf·cm)	28.6~65.2 lbs·in (33~75.2 kgf·cm)		
SDS-100B-TVZ		Black				
SDS-C100W-TVZ	With Catch	White	14.3~32.6 lbs·in (16.5~37.6 kgf·cm)	28.6~65.2 lbs·in (33~75.2 kgf·cm)		
SDS-C100B-TVZ		Black				