



Type	SDR-A125	
	Standard Sliding	
Roller	Top Recessed	Top Surface
Door Weight	Max. 275 lbs (125 kg)	
Door Thickness	Min. 1-3/8" (35 mm)	
Door Width	Min. 19-11/16" (500 mm)	

- 275 lbs (125 kg)
- Ceiling mount
- Recessed and Top Surface Mounted door brackets
- Double rollers with ball bearings
- Quiet precision movement
- Low profile minimum gap of 1/8" (3 mm) Recess mount
- Vertical Adjustment
  - o Recessed mount  $\pm 1/16"$  (1 mm)
  - o Surface mount  $\pm 1/8"$  (2.5 mm)

■ How to order

1. Select track and track length
- 1A. Select any optional parts for track
2. Select a hardware set

## Ordering Information

### ■ 1. Track Options

Track Type	Length	Item No.	Description
Standard Aluminum Track	118-1/8" (3000 mm)	SDR-A125-3000	
False Ceiling Aluminum Track	118-1/8" (3000 mm)	SDR-A125-12532	

### ■ 1A Optional Parts for Track

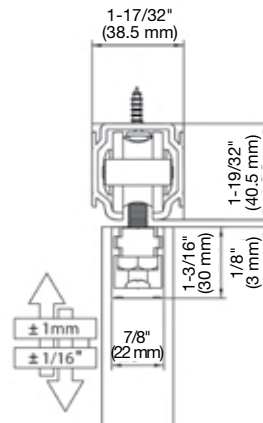
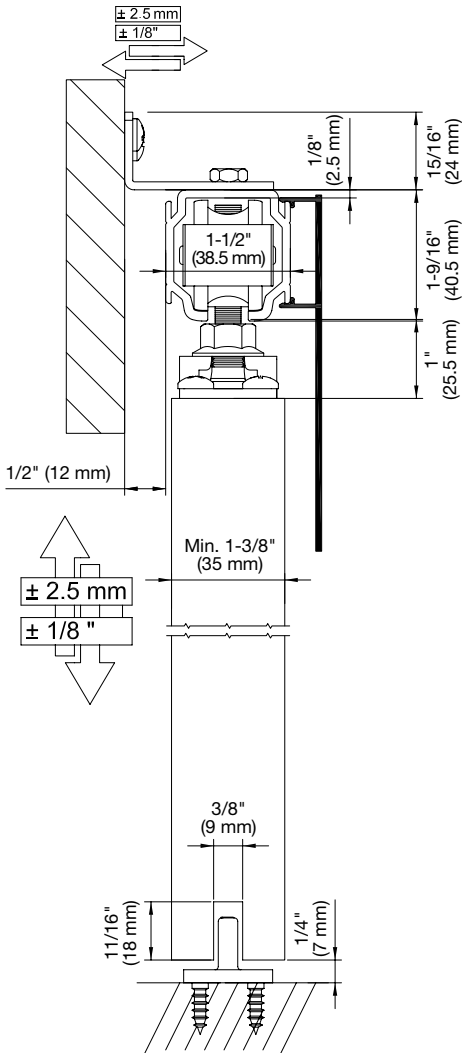
 SDR-A125-10433 Clip on Fascia	 SDR-A-6056 Clip on Bracket for Timber	 SDR-A125-12557 End Caps for Track	 SDR-A81-6961 Aluminum Separator
 SDR-A-4131 Bottom Guide Channel	 SDR-A-4140 Bottom Guide Roller	 SDR-A300-30064 Short Bracket	

### ■ 2. Hardware Set

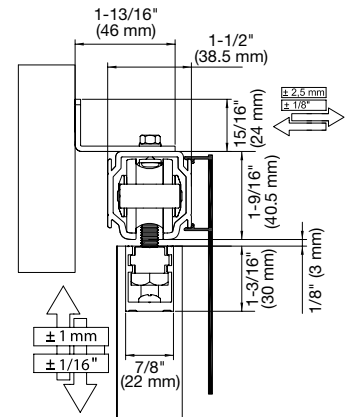
Door Mount	Item No.	Set Details
Top Recessed	SDR-A125TR-PRT	 Top Recessed Roller Set
Top Surface	SDR-A125TS-PRT	 Top Surface Roller Set

## TRACK MOUNTING OPTIONS

### Top Recessed (SDR-A125TR)

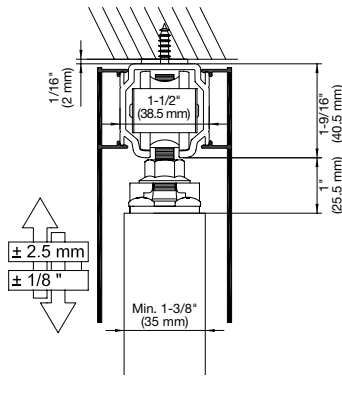


Ceiling Mount  
Traditional Ceiling mount option shown with recessed rollers.

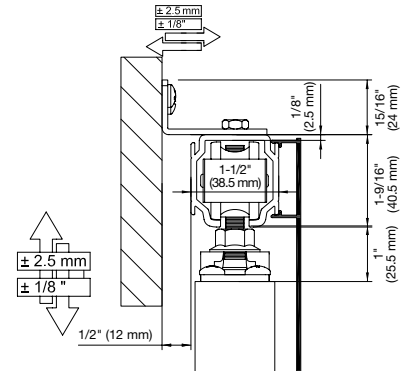


Wall Mount w/ Short Bracket  
Top track short bracket for Barn Door style mounting that allows fast and simple installation.

### Top Surface (SDR-A125TS)



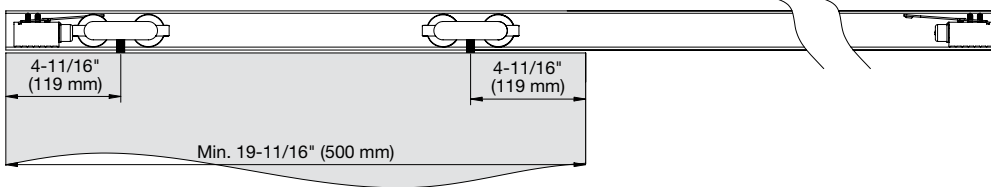
Ceiling Mount  
Traditional Ceiling mount option shown. Fascia can be mounted on both sides if needed



Wall Mount w/ Short Bracket  
Top track short bracket for Barn Door style mounting that allows fast and simple installation.

### Track Details

#### Top Recessed



#### Top Surface

