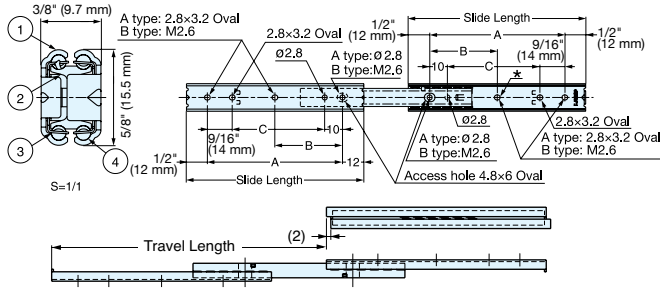


FULL EXTENSION MINI SLIDE



SCR3

DRAWER SLIDES



- Full extension.
- High precision design.
- Thin profile for various applications.
- Types with slide length 3-1/8" (80 mm) have no holes marked with (*)



B type shown.

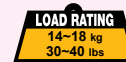
Item No.	Holes	Slide Length	Travel Length	A	B	C	Load Capacity /pair	Weight (g)	Box (pcs)	Carton (pcs)
SCR3-15-80A	A Type (Through Hole)	3-1/8" (80 mm)	3-13/16" (97 mm)	(56)	-	(32)	22 lbs (10 kg)	36	50	200
SCR3-15-100A		3-15/16" (100 mm)	4-15/16" (125 mm)	(76)	(38)	(52)	24.2 lbs (11 kg)	45		
SCR3-15-150A		5-7/8" (150 mm)	6-15/16" (177 mm)	(126)	(63)	(102)	26.4 lbs (12 kg)	70		
SCR3-15-80B	B Type (Screw Hole)	3-1/8" (80 mm)	3-13/16" (97 mm)	(56)	-	(32)	22 lbs (10 kg)	36		
SCR3-15-100B		3-15/16" (100 mm)	4-15/16" (125 mm)	(76)	(38)	(52)	24.2 lbs (11 kg)	45		
SCR3-15-150B		5-7/8" (150 mm)	6-15/16" (177 mm)	(126)	(63)	(102)	26.4 lbs (12 kg)	70		

No.	Part Name	Material
①	Outer Rail	304 Stainless Steel
②	Inner Rail	
③	Retainer	Steel
④	Balls	

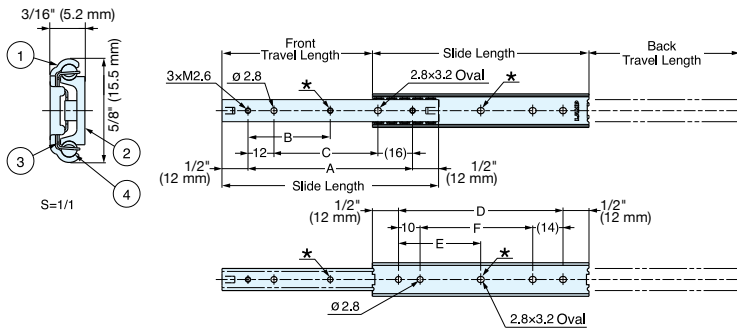
() units in mm.

STAINLESS STEEL MINI SLIDES

3/4 EXTENSION MINI SLIDE (2-WAY)



SCRW2



- Two-way travel.
- Thin profile for various applications.
- Types with slide length 3-1/8" (80 mm) have no holes marked with (*)



No.	Part Name	Material
①	Outer Rail	304 Stainless Steel
②	Inner Rail	
③	Retainer	Steel
④	Balls	

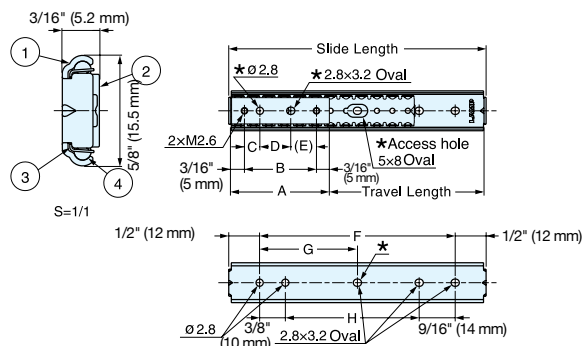
Item No.	Slide Length	Front Travel Length	Back Travel Length	A	B	C	D	E	F	Load Capacity /pair	Weight (g)	Box (pcs)	Carton (pcs)
SCRW2-15-80A	3-1/8" (80 mm)	1-7/8" (48.5 mm)	1-7/8" (48.5 mm)	(56)	-	(28)	(56)	-	(32)	30.8 lbs (14 kg)	21	200	400
SCRW2-15-100A	3-15/16" (100 mm)	2-11/16" (68.5 mm)	2-11/16" (68.5 mm)	(76)	(38)	(48)	(76)	(38)	(52)	35.2 lbs (16 kg)	26	100	200
SCRW2-15-150A	5-7/8" (150 mm)	3-3/4" (94.5 mm)	3-3/4" (94.5 mm)	(126)	(63)	(98)	(126)	(63)	(102)	39.6 lbs (18 kg)	41	100	200

() units in mm.

STAINLESS STEEL MINI GUIDE



SCRL2



- Thin profile for various applications.
- Types with slide length 3-1/8" (80 mm) have no holes marked with (*)



No.	Part Name	Material
①	Outer Rail	304 Stainless Steel
②	Inner Rail	
③	Retainer	Steel
④	Balls	

Item No.	Slide Length	Travel Length	A	B	C	D	E	F	G	H	Load Capacity kgf/pair	Weight (g/pc)	Box (pcs)	Carton (pcs)
SCRL2-15-80A	3-1/8" (80 mm)	1-7/8" (49 mm)	(28)	(18)	-	-	-	(56)	-	(32)	18 (39.6 lbs)	16	50	200
SCRL2-15-100A	3-15/16" (100 mm)	2-5/16" (59 mm)	(38)	(28)	(6)	(12)	(10)	(76)	(38)	(52)	21 (46.2 lbs)	20		
SCRL2-15-150A	5-7/8" (150 mm)	4-5/16" (109 mm)	(126)	(63)	(98)	(126)	(63)	(102)	(63)	(102)	29	29		
SCRL2-15-200A	7-7/8" (200 mm)	5-7/8" (149 mm)	(176)	(88)	(152)	(176)	(88)	(152)	(88)	(152)	24 (52.9 lbs)	38		

() units in mm.