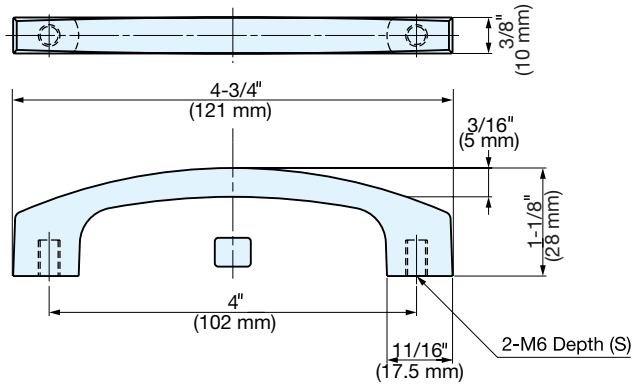


HANDLE



SAZ

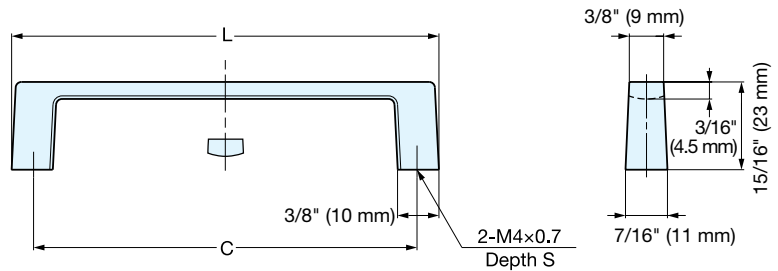


Item No.	Weight (g)	Box (pcs)	Carton (pcs)	Material	Finish
SAZ-121	85	40	400	Zinc Alloy	Chrome

HANDLE



936 SERIES

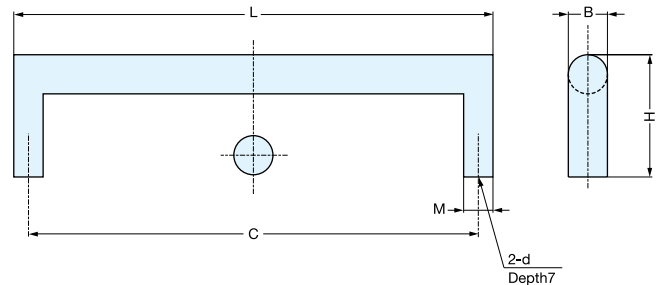


Item No.	L	C	S	Weight (g)	Box (pcs)	Carton (pcs)	Screw	Material	Finish
936-55-SCR	2-5/8" (66.5 mm)	2-3/16" (55 mm)	5/16" (8 mm)	40	50	200	M4 × 25	Zinc Alloy	Satin Chrome (SCR)
936-100-DC	4-7/16" (112 mm)	3-15/16" (100.5 mm)	3/8" (10 mm)	52			M4 × 28		Dull Chrome (DC)

HANDLE



KAKU-A



Material	Finish
Brass	Dull Chrome

Item No.	L	H	B	C	M	D	Weight (g)	Box (pcs)	Carton (pcs)
KAKU-A161	3-5/16" (84 mm)	15/16" (24 mm)	1/4" (7 mm)	3-1/16" (78 mm)	1/4" (7 mm)	M3	46	35	420
KAKU-A160	3-15/16" (99 mm)	1" (25 mm)	5/16" (8 mm)	3-5/8" (92 mm)	5/16" (8 mm)	M4	58	30	360
KAKU-A159	4-7/8" (124 mm)	1-1/8" (29 mm)	3/8" (9 mm)	4-7/16" (113 mm)	7/16" (11 mm)	M4	103	20	240