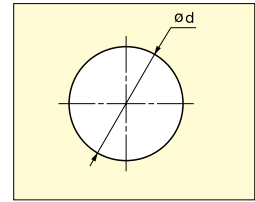
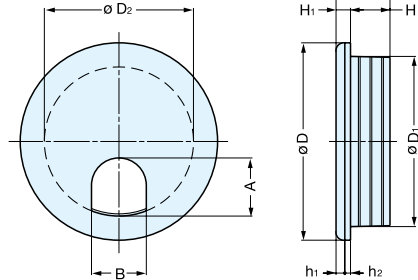


CABLE GROMMET

S445, S51, S60, S76, S89

MISCELLANEOUS

CABLE GROMMETS



Bore Dimensions

Material	Finish
ABS	White (WHT), Black (BLK)

Item No.	D	D ₁	D ₂	H	H ₁	H ₂	h ₁	h ₂	A	B	d	Weight (g)	Box (pcs)	Carton (pcs)
S445	1-3/4" (45 mm)	1-1/2" (38.8 mm)	1-5/16" (34 mm)	3/4" (19.7 mm)	1/8" (3.3 mm)	5/8" (16.4 mm)	1/16" (2 mm)	1/16" (1.3 mm)	11/16" (16.7 mm)	1/2" (12.5 mm)	1-1/2" (38.5 mm)	8.7	100	1200
S51	2" (51 mm)	1-3/4" (44.5 mm)	1-9/16" (39.7 mm)	3/4" (19.9 mm)	1/8" (3.6 mm)	5/8" (16.3 mm)		1/16" (1.6 mm)	3/4" (19 mm)	5/8" (15.5 mm)	1-3/4" (44.2 mm)	11.1		
S60	2-3/8" (60.5 mm)	1-15/16" (48.8 mm)	1-3/4" (44 mm)	3/4" (19.8 mm)	5/8" (16.2 mm)	13/16" (20.8 mm)		7/8" (21.5 mm)	3/4" (19 mm)	1-15/16" (48.5 mm)	13.7			
S76	3" (76.5 mm)	2-9/16" (64.4 mm)	2-5/16" (59 mm)	13/16" (20.3 mm)	3/16" (4.2 mm)	5/8" (16.1 mm)	1/8" (2.6 mm)	1/16" (1.5 mm)	1" (25 mm)	7/8" (21.5 mm)	2-1/2" (64.2 mm)	21.8	50	350
S89	3-1/2" (89.4 mm)	3" (76.5 mm)	2-13/16" (71.4 mm)	13/16" (20.6 mm)	3/16" (4.1 mm)	5/8" (16.5 mm)		1/16" (1.5 mm)	1" (25 mm)	7/8" (22 mm)	3" (76.5 mm)	30.3		

Please specify the finish when ordering.

CABLE GROMMET

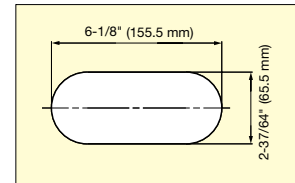
S165-76



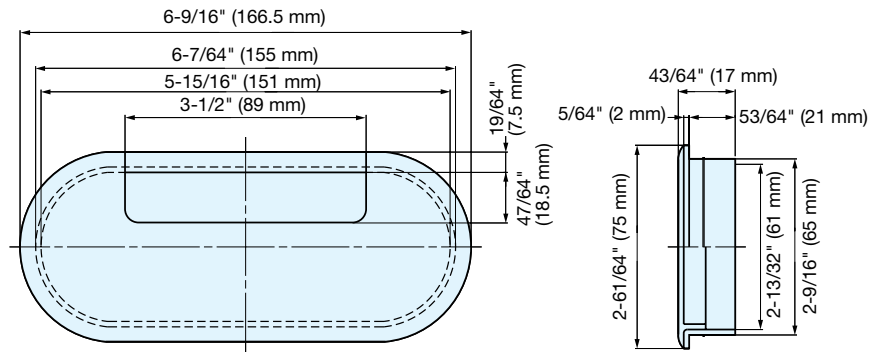
S165-76/BLK



S165-76/WHT



Bore Dimensions



Item No.	Weight (g)	Box (pcs)	Carton (pcs)
S165-76	47.7	150	1500

Material	Finish
ABS	White (WHT), Black (BLK)

Please specify the finish when ordering.