

BALANCE ADJUSTABLE SPRING LOADED LID STAY



S-ATJ

LID SUPPORTS

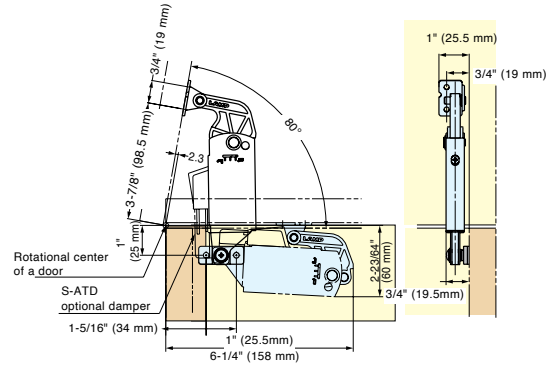
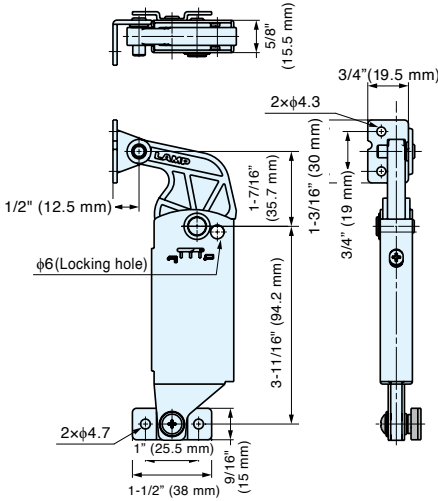
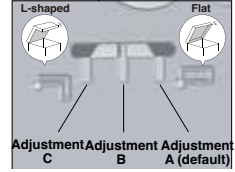
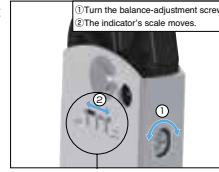
SPRING LOADED LID STAYS



(Shown with S-ATD damper)

- Side wall mounted.
- Spring mechanism assists in lifting door and holds in open position (10°~80°).
- The balance adjustment allows for use in wider range of lids.
- Can be installed individually or in pairs.
- Non-Handed: Can be installed on left or right side.
- Does not work with concealed hinges.
- Optional add on damper S-ATD.

Balance Adjustment



Item No.	Material	Finish	Max. Torque per piece	Box (pcs)	Carton (pcs)
S-ATJ01	430 Stainless Steel/	Plain	78 lbs-in (90 kgf-cm)	10	50
S-ATJ02	Steel/Polyacetal		104 lbs-in (120 kgf-cm)		

BALANCE ADJUSTABLE SPRING LOADED LID STAY



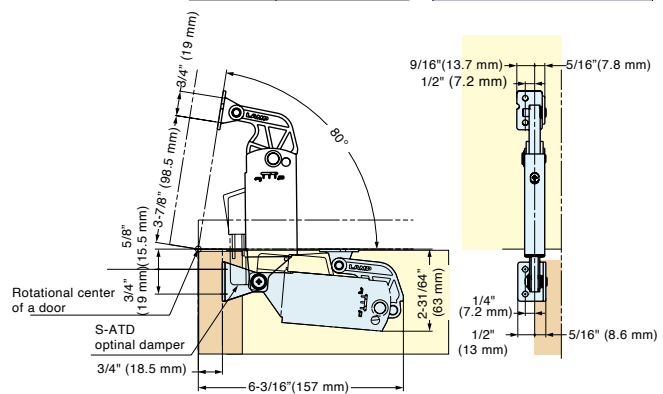
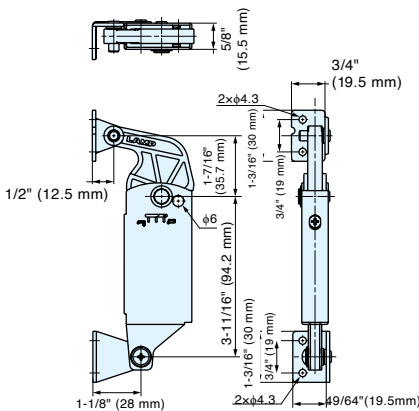
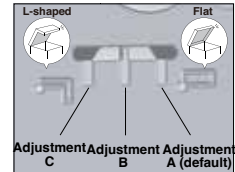
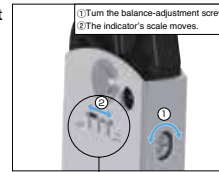
S-ATJD



(Shown with S-ATD damper)

- Back panel mounted.
- Spring mechanism assists in lifting door and holds in open position (10°~80°).
- The balance adjustment allows for use in wider range of lids.
- Can be used individually or in multiples.
- Does not work with concealed hinges.
- Optional add on damper S-ATD.

Balance Adjustment



Item No.	Material	Finish	Max. Torque per piece	Box (pcs)	Carton (pcs)
S-ATJ01D	430 Stainless Steel/	Plain	78 lbs-in (90 kgf-cm)	10	50
S-ATJ02D	Steel/Polyacetal		104 lbs-in (120 kgf-cm)		