

DAMPER FOR S-ATJ & S-ATJD



S-ATD



S-ATD-20

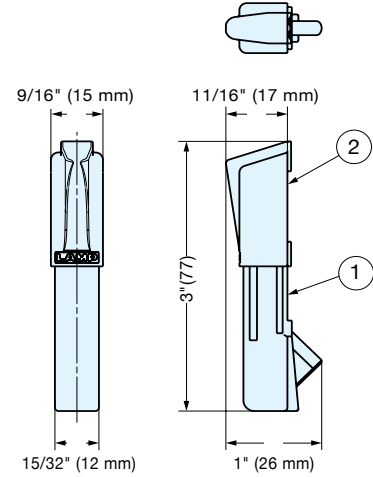
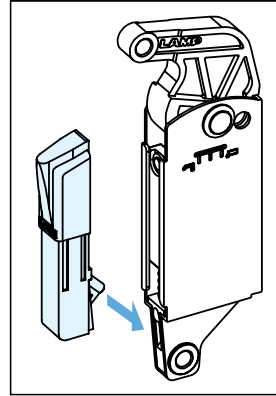
S-ATD-30

When attached to the S-ATJD



- Soft-close damper designed for use with the S-ATJ & S-ATJD.
- Easy to install.
- Available in two strengths.
- Damper activates at 20° rotation to softly close your lid.

One Step Installation



Item No.	Damper Case Color	Damper Resistance	Weight (g)	Box (pcs)	Carton (pcs)	No.	Part Name	Material	Finish
S-ATD-20	Gray	Light Duty	15	50	200	①	Damper Case	Polyacetal	Black
S-ATD-30	Black	Heavy Duty				②	Slider	Plastic (PBT)	

BALANCE ADJUSTABLE SPRING LOADED LID STAY

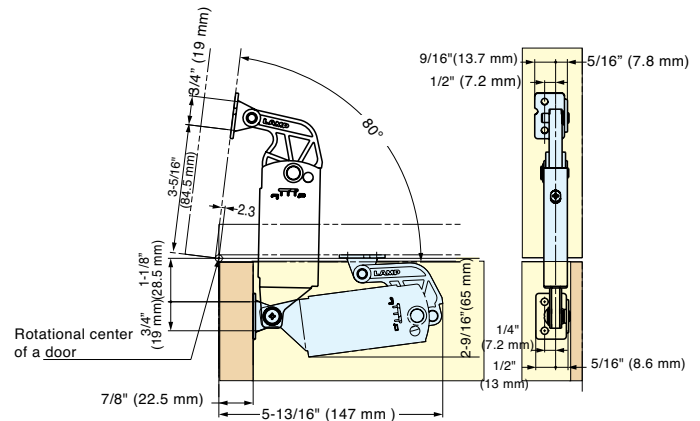
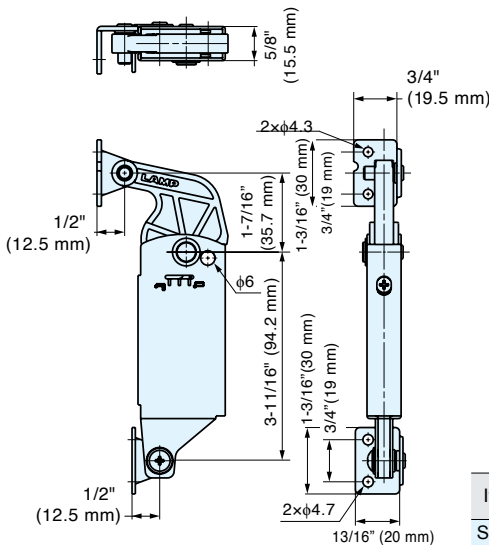
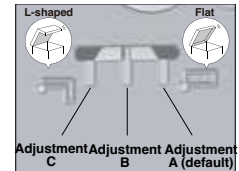
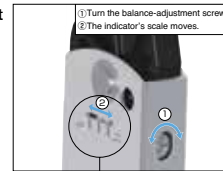


S-ATJS



- Back panel mounted.
- Spring mechanism assists in lifting door and holds in open position (10°~80°).
- The balance adjustment allows for use in wider range of lids.
- Can be used individually or in multiples.
- Does not work with concealed hinges.
- Damper option not available.

Balance Adjustment



Item No.	Material	Finish	Max. Torque per piece	Box (pcs)	Carton (pcs)
S-ATJ01S	430 Stainless Steel/	Plain	78 lbs-in (90 kgf-cm)	10	50
S-ATJ02S	Steel/Polyacetal		104 lbs-in (120 kgf-cm)		