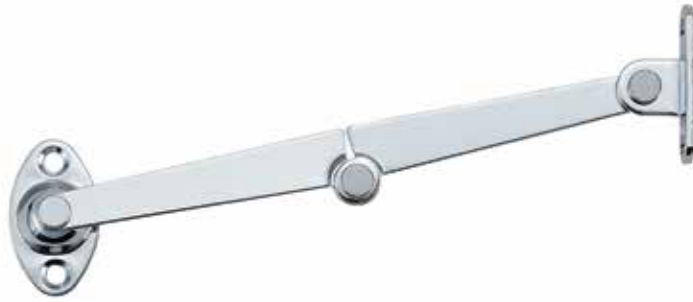


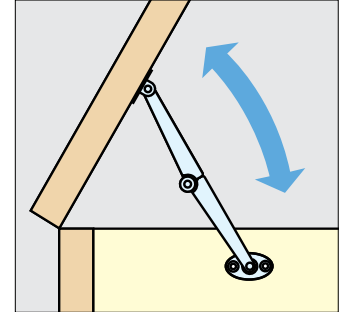
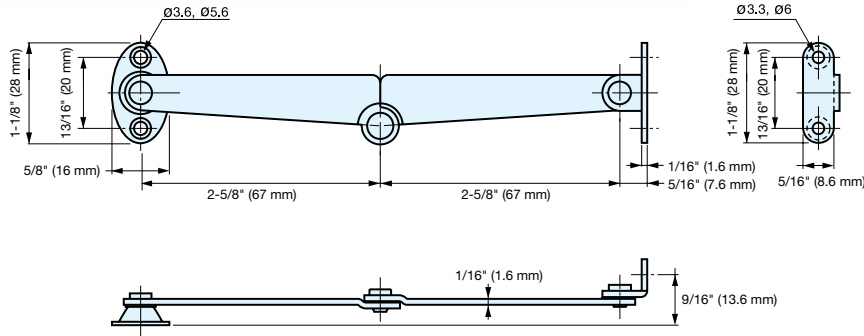
# LID STAY



## S-6, S-16



- Not load bearing keeps lids from over extending.
- Can be installed individually or in pairs.
- Handed: Specific left and right hand mounting.



Item No.		L <sub>1</sub>	L <sub>2</sub>	Weight (g)	Box (pcs)	Carton (pcs)
Left	Right				100	1000
S-6L	S-6R	2-1/16" (53 mm)	2-1/16" (53 mm)	20		
S-16R	S-16L	2-5/8" (67 mm)	2-5/8" (67 mm)	31		

Material	Finish
Steel/Brass/Nylon (washer)	Chrome

# LID STAY (W/CATCH)

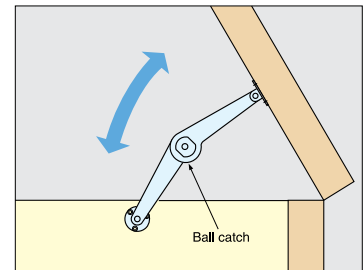
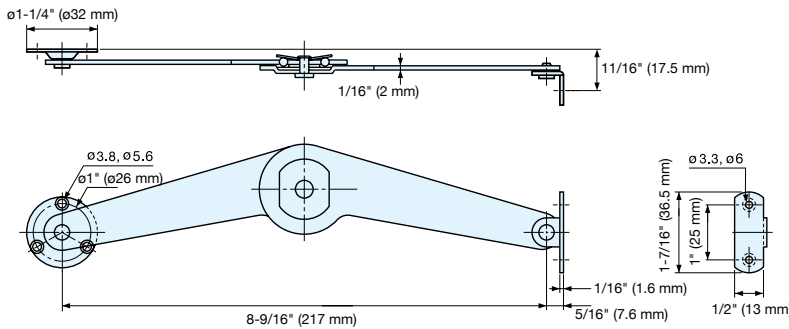


## S-20



- Lid stay with ball catch for lightweight doors.
- Catch automatically holds lid in opened position.
- Can be installed individually or in pairs.
- Handed: Specific left and right hand mounting.

(Left)



Item No.		Weight (g)	Box (pcs)	Carton (pcs)
Left	Right			
S-20L	S-20R	125	40	160

Material	Finish
Steel, Brass, Nylon (washer)	Chrome