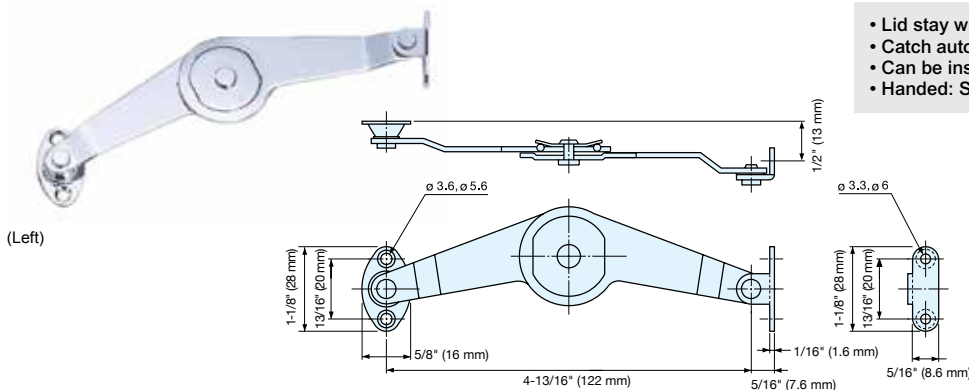


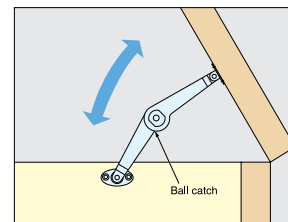
LID STAY (W/CATCH)



S-21



- Lid stay with ball catch for lightweight doors.
- Catch automatically holds lid in opened position.
- Can be installed individually or in pairs.
- Handed: Specific left and right hand mounting.



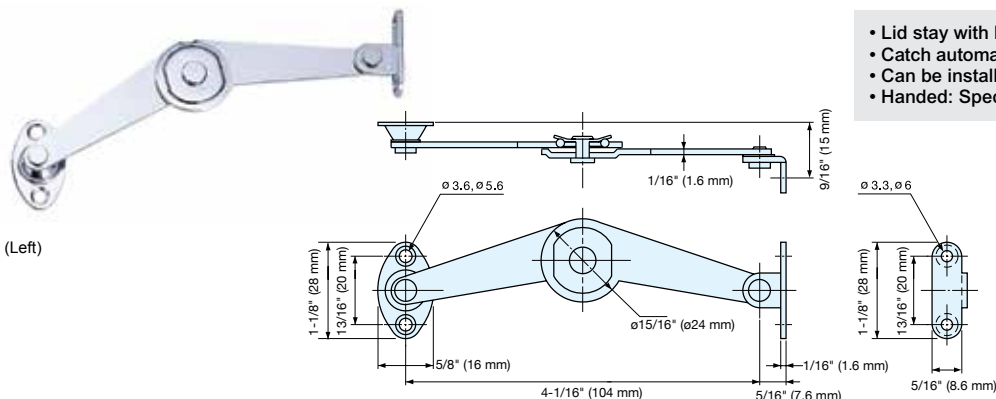
Item No.		Weight (g)	Box (pcs)	Carton (pcs)
Left	Right			
S-21L	S-21R	49	50	500

Material	Finish
Steel, Brass, Nylon (washer)	Chrome

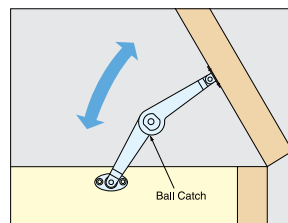
LID STAY (W/CATCH)



S-23



- Lid stay with ball catch for lightweight doors.
- Catch automatically holds lid in opened position.
- Can be installed individually or in pairs.
- Handed: Specific left and right hand mounting.



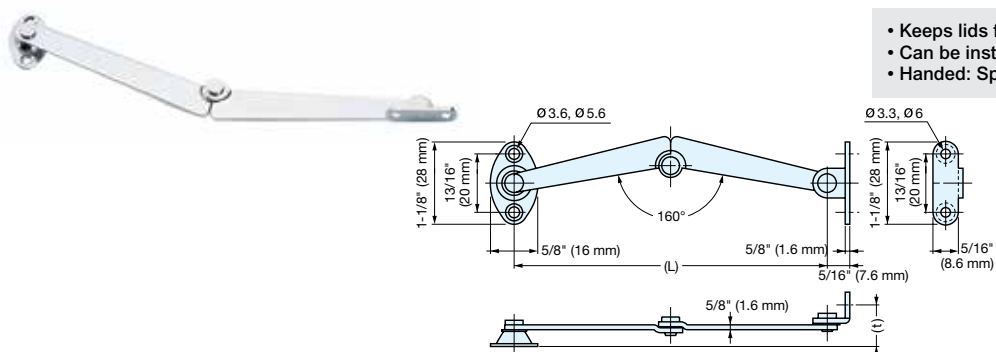
Item No.		Weight (g)	Box (pcs)	Carton (pcs)
Left	Right			
S-23L	S-23R	33	50	500

Material	Finish
Steel, Brass, Nylon (washer)	Chrome

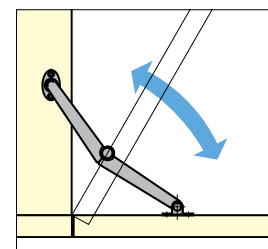
LID STAY



S-24, S-25, S-27



- Keeps lids from over extending.
- Can be installed individually or in pairs.
- Handed: Specific left and right hand mounting.



Item No.		L	Weight (g)	Box (pcs)	Carton (pcs)
Left	Right				
S-24L	S-24R	4-1/8" (105.5 mm)	21	100	1000
S-25L	S-25R	6-7/16" (163 mm)	35	60	600
S-27L	S-27R	5-1/4" (133 mm)	31	60	600

Material	Finish
Steel, Brass, Nylon (washer)	Chrome