

TORQUE LID STAY (FREE STOP)

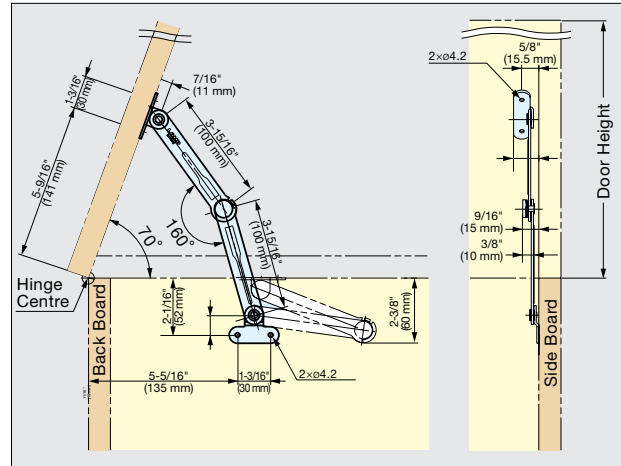
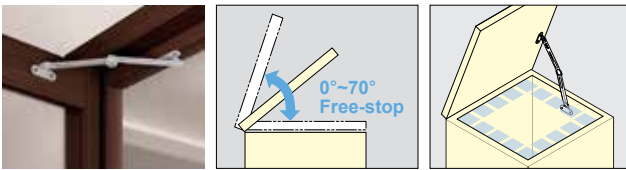


S-100T30



S-100T30R

- Friction torque lid stay holds lid open at any position.
 - Narrow profile for unobtrusive installation.
 - Torque Calculation :
Torque = Door Height × 1/2 × Door Weight
 - Left- and Right-handed models available.
 - Can be used individually or in pairs.
- Note : 1) Not recommended for lids that will be continuously opened and closed.
2) Do not lubricate.



Item No.	Handing	Torque per piece	Weight (g)	Box (pcs)	Carton (pcs)
S-100T30R	Right	26.5 lbs-in ±20% (30.6 kg-cm ±20%)	100	30	120
S-100T30L	Left				

Part	Material	Finish
Body, Base & Bracket	430 Stainless Steel	Plain
Press washer & Pin	Phosphor Bronze	
Washer	Steel	

TORQUE LID STAY (FREE STOP)

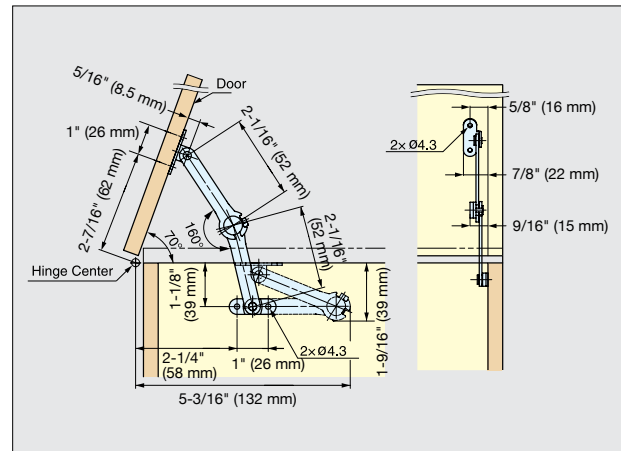
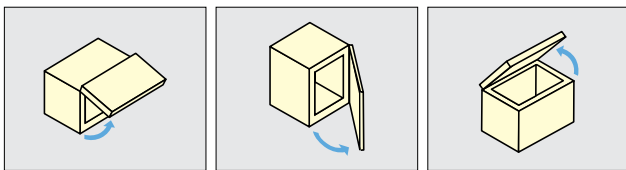


S-52T15



S-52T15R

- Friction torque lid stay holds lid open at any position.
 - Narrow profile for unobtrusive installation.
 - Left- and Right-handed models available.
 - Can be used individually or in pairs.
- Note : 1) Not recommended for lids that will be continuously opened and closed.
2) Do not lubricate.



Item No.	Handing	Torque per piece	Weight (g)	Box (pcs)	Carton (pcs)
S-52T15R	Right	13.3 lbs-in ±20% (15.3 kg-cm ±20%)	40	25	250
S-52T15L	Left				

Part	Material	Finish
Body, Base & Bracket	430 Stainless Steel	Plain
Press washer & Pin	Phosphor Bronze	
Washer	Steel	