

# BALL HOOK



## PXB-QL05-111



PXB-QL05-111-CR

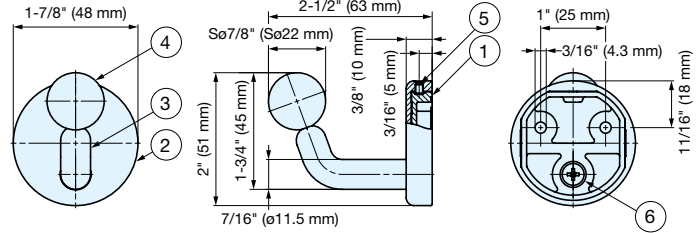


PXB-QL05-111-GP



PXB-QL05-111-BL

- Concealed mounting screws give a seamless look.
- No sharp corners for an elegant and safe design.
- The matte black finish is coated with a special chromate. This type combines the desirable glossiness of paint with the unique strength of plating.



No.	Part Name	Material	Finish
①	Base	Zinc Alloy	Trivalent Chromate Finish
②	Base Cover		See table below
③	Arm		
④	Ball		
⑤	Hexagon Socket Set Screws	Steel	Trivalent Chromate Finish
⑥	Cross-Recessed Flat Head Screws		

Item No.	Material	Finish	Load Capacity	Weight
PXB-QL05-111-CR	Zinc Alloy	Chrome Plating	22.5 lbs (10.2 kg)	160g
PXB-QL05-111-GP		24K Gold Plating		
PXB-QL05-111-BL		Chromate Finish/Matte Black		

# HOOK (WOOD CHIC SERIES)



## PXB-WC05-111



Hard Maple

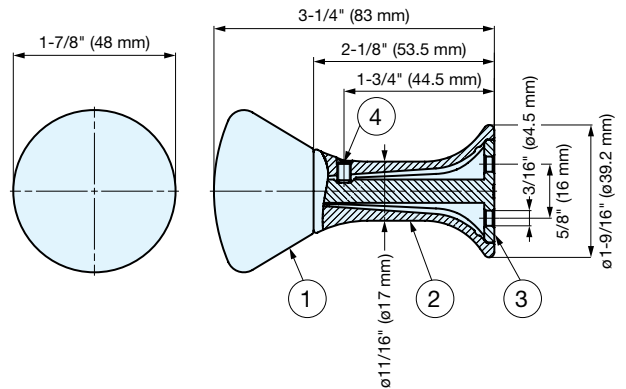


Cherry



Walnut

- Modern design with contrasting materials.
- Base is made from metal for a high loading capacity.
- The matte black finish is coated with a special chromate. This type combines the desirable glossiness of paint with the unique strength of plating.
- Product is made from natural wood. Grain and color may vary.



No.	Part Name	Material	Finish
①	Wooden Part	Natural wood	Clear Coating
②	Plate	Zinc Alloy	See the table
③	Frame		Gloss Chromate Finish
④	Size M4 x 6 Hexagon Socket Set Screws	304 Stainless Steel	Plain

Item No.	Color (Wood)	Finish/Colour (Plate)	Load Capacity	Weight
PXB-WC05-111-HM	Hard Maple	Dull Nickel Plating	22.5 lbs (10.2 kg)	159g
PXB-WC05-111-CH	Cherry	Brass Plating/Vintage Look		157g
PXB-WC05-111-WN	Walnut	Chromate Finish/Matte Black		156g