

BALL HOOK



PXB-QC05-101

- No sharp corners for an elegant and safe design.
- The matte black finish is coated with a special chromate. This type combines the desirable glossiness of paint with the unique strength of plating.



PXB-QC05-101-BL

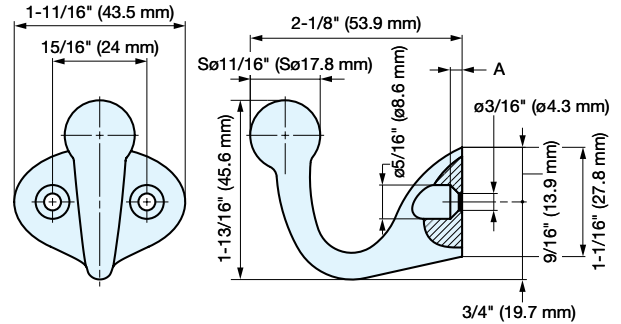
PXB-QC05-101-M



PXB-QC05-101-CR



PXB-QC05-101-GP



Item No.	Material	Finish/Color	A	Load Capacity	Weight (g)
PXB-QC05-101-CR	Zinc Alloy	Chrome Plating	3/16" (4.7 mm)	18 lbs (8.1 kg)	83
PXB-QC05-101-GP		24K Gold Plating			
PXB-QC05-101-BL		Chromate Finish/Matte Black			
PXB-QC05-101-M	Stainless Steel	Polished	1/8" (3 mm)	33.7 lbs (15.2 kg)	100

(units in mm)

BALL HOOK



PXB-QC05-111

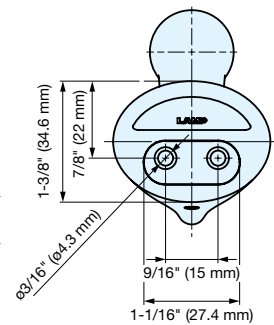
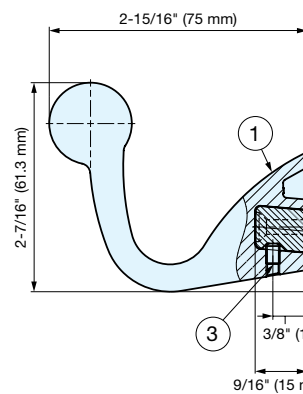
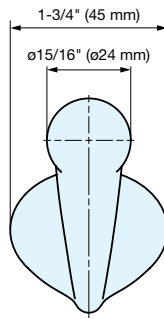


PXB-QC05-111-CR

PXB-QC05-111-GP



PXB-QC05-111-BL



- Mounting screws are not visible, giving a seamless look.
- No sharp corners for an elegant and safe design.
- The matte black finish is coated with a special chromate. This type combines the desirable glossiness of paint with the unique strength of plating.

No.	Part Name	Material
①	Main Body	Zinc Alloy
②	Frame	
③	Hexagon Socket Set Screws	304 Stainless Steel
④		

Item No.	Material	Finish/Color	Load Capacity	Weight (g)
PXB-QC05-111-CR	Zinc Alloy	Chrome Plating	22.4 lbs (10.2 kg)	198
PXB-QC05-111-GP		24K Gold Plating		
PXB-QC05-111-BL		Chromate Finish/Matte Black		