

RUBBER HOOK (TWIN TYPE RUBBER SERIES)



LOAD CAPACITY
10.2 kg
22.4 lbs

PXB-GR05-212

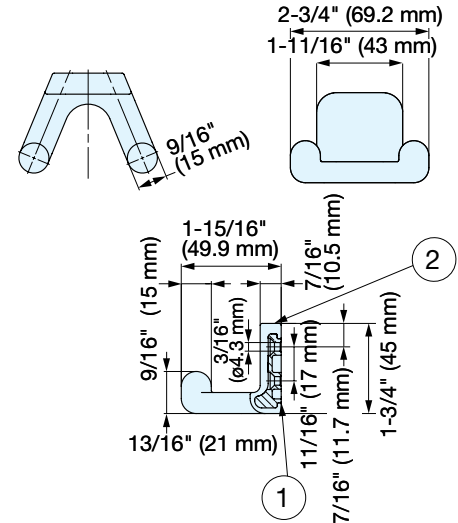


Silicone Rubber Cover Stainless Steel Base



Bright Red Bright Yellow Bright Green Bright Blue White Black

- The inside of the silicone cover is equipped with an anti slip feature which significantly reduces the chance the cover will be accidentally removed.
- The base is made from stainless steel to hold items securely in place.
- No sharp or hard edges to ensure safety.
- Special orders for covers only can be made.



Item No.	Color	Load Capacity	Weight (g)
PXB-GR05-212-BRD	Bright Red	22.4 lbs (10.2 kg)	90.5
PXB-GR05-212-BYE	Bright Yellow		
PXB-GR05-212-BGN	Bright Green		
PXB-GR05-212-BBU	Bright Blue		
PXB-GR05-212-WT	White		
PXB-GR05-212-BL	Black		

No.	Part Name	Material	Finish
①	Base	Stainless Steel (SCS13)	Plain
②	Cover	Silicone Rubber	Bright Red Bright Yellow Bright Green Bright Blue White Black

*Load capacity values are for one side only.

*SCS13 is a cast steel material similar to SUS304.



NF-60 304 Stainless Steel Hook



PXB-WM-5-111

PXB-GR05-211



PXB-BNS05



PXB-AS05