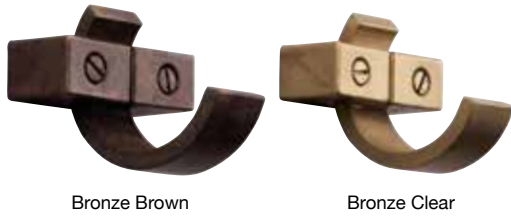


# COAT HOOK (AGED SCREW SERIES)



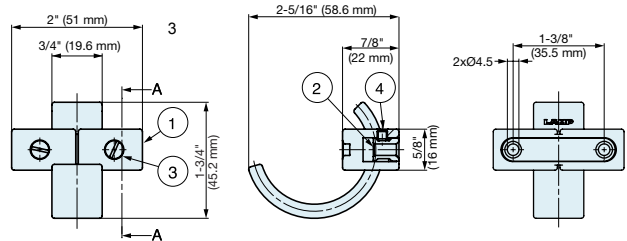
## PXB-AS05-111

• Vintage design with brass casting.



Bronze Brown

Bronze Clear



No.	Part Name	Material	Finish
①	Body	Brass	Bronze Brown(BR)
②	Insert		Bronze Clear(SD)
③	Screw		
④			

Item No.	Color	Load Capacity	W	H	D	Weight (g)
PXB-AS05-111-BR	Bronze Brown	9 kgf (19.8 lbs)	2" (51 mm)	1-3/4" (45.2 mm)	2-5/16" (58.6 mm)	200
PXB-AS05-111-SD	Bronze Clear					

(units in mm)

# COAT HOOK (LEATHERY CHIC)



## PXB-LE05-111

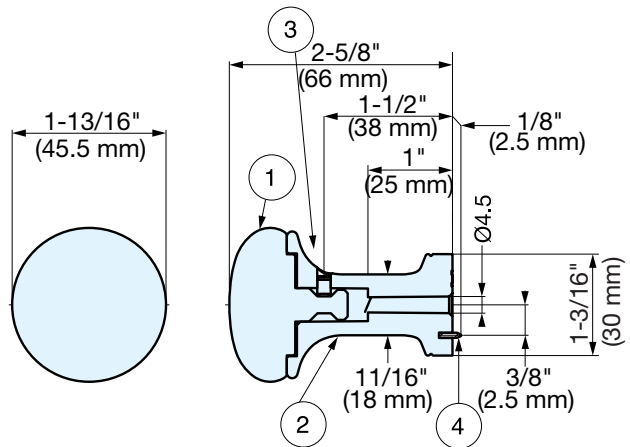
• Modern design with contrasting materials.



Black

Tan

Brown



No.	Part Name	Material	Finish
①	Head	ZDC	Black(BL)
②	Body		Brown(BR)
③	Screw	304 Stainless Steel	Tan(TN)
④	Pin	316 Stainless Steel	

Item No.	Color	Load Capacity	W	H	D	Weight (g)
PXB-LE05-111-BL	Black	25 lbs (11kgf)	1-13/16" (45.5)	1-13/16" (45.5)	2-5/8" (66)	267
PXB-LE05-111-BR	Brown					
PXB-LE05-111-TN	Tan					

(units in mm)