

CASTER (PLATE TYPE)



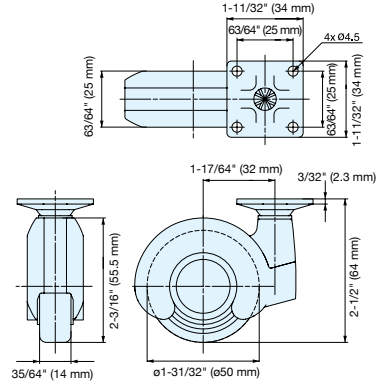
PLN50P

- Sleek contemporary design, available in Black (BL) or Chrome (CR)
- Ball-bearing type caster for exceptionally smooth movement.



PLN50PCR
(Chrome)

PLN50PBL
(Black)



Part Name	Material	Finish
Body	Zinc Alloy	BL=Black, CR=Chrome
Plate	Steel	Yellow Zinc Chromate
Wheel	Polyamide	Black

Item No.	Finish	Load Capacity	Weight (g)	Box (pcs)	Carton (pcs)
PLN50PBL	Black	176 lbs (80 kg)	220	1	28
PLN50PCR	Chrome				

CASTER (THREADED BOLT TYPE)



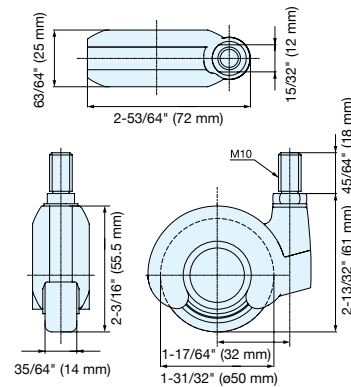
PLN50N10

- Sleek contemporary design, available in Black (BL) or Chrome (CR)
- Ball-bearing type caster for exceptionally smooth movement.



PLN50N10CR
(Chrome)

PLN50N10BL
(Black)



Part Name	Material	Finish
Body	Zinc Alloy	BL=Black, CR=Chrome
Plate	Steel	Yellow Zinc Chromate
Wheel	Polyamide	Black

Item No.	Finish	Load Capacity	Weight (g)	Box (pcs)	Carton (pcs)
PLN50N10BL	Black	176 lbs (80 kg)	203	1	40
PLN50N10CR	Chrome				