

# 2-WAY ADJUSTABLE PIVOT HINGE



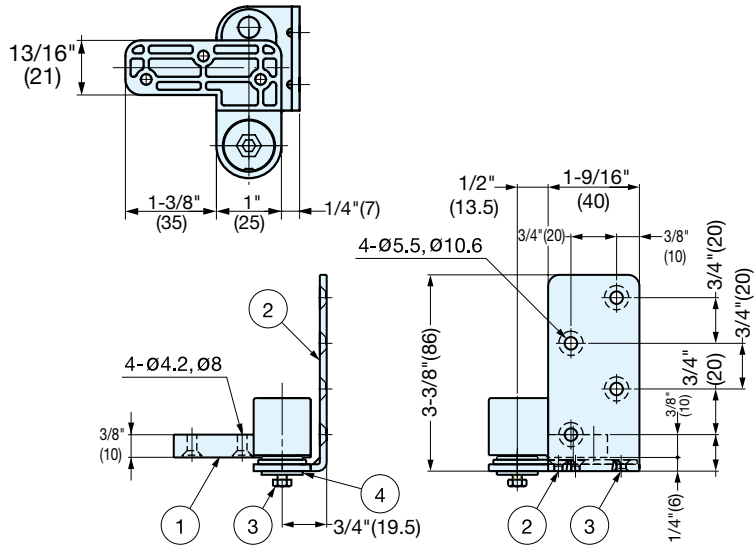
## PH-01

HINGES

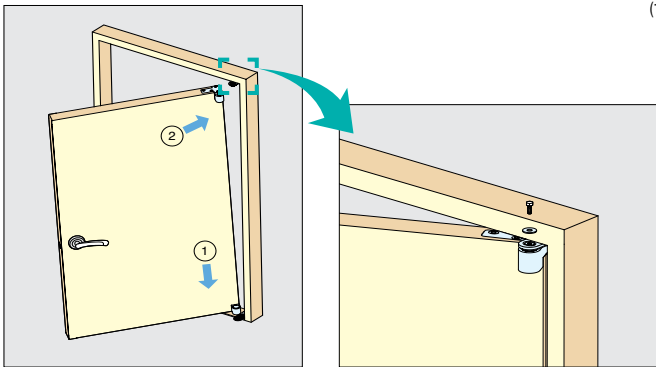
2-WAY ADJUSTABLE PIVOT HINGES



- Vertically and laterally adjustable after installed.
- Sold in pairs (top and bottom), non-handed.
- Supplied with wood screw 4 × 30.
- Separate body and bracket for easy installation.
- Door Height: Max. 90-9/16" (2300 mm)
- Door Width: Max. 33-7/16" (850 mm)
- Door Weight: Max. 77 lbs (35 kg)/pair
- Door Thickness: 1-5/16"~1-5/8" (33~42 mm)



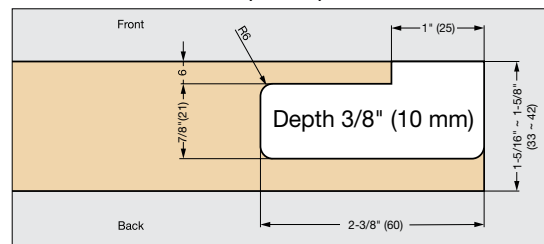
### Door Installation



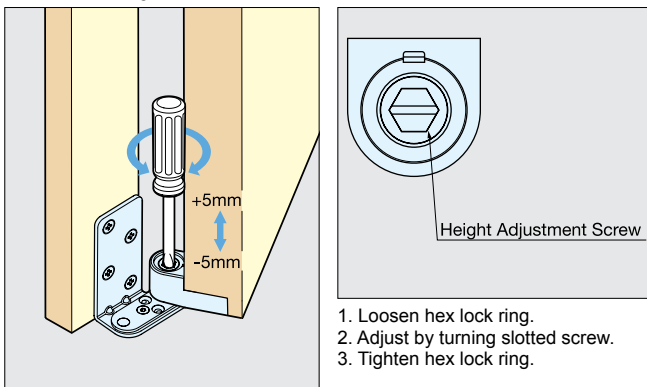
\* Gap between door jamb and handle side of door: 3/16 (4 mm)  
Door Thickness 1-5/16" ~ 1-5/8" (33~42 mm)

- Install hinge bracket to door frame
- Bolt the door on with supplied screw

### Bore Dimensions (Door)

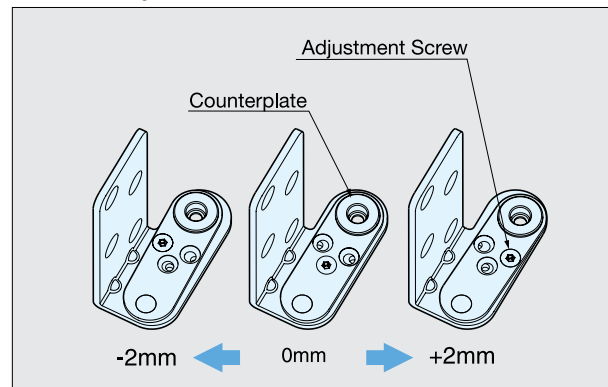


### Vertical Adjustment



1. Loosen hex lock ring.
2. Adjust by turning slotted screw.
3. Tighten hex lock ring.

### Lateral Adjustment



Item No.	Weight (g)	Box (set)	Carton (set)
PH-01	500	1	20

No.	Part Name	Material	Finish/Color
①	Body	Zinc Alloy	Matte Silver
②	Bracket	304 Stainless Steel	Plain
③	Hex Bolt		-
④	Washer	-	-
⑤	Cap	ABS	White