

OVN

SOFT CLOSING MECHANISM FOR OVER-THE-TOP FLIPPER DOORS

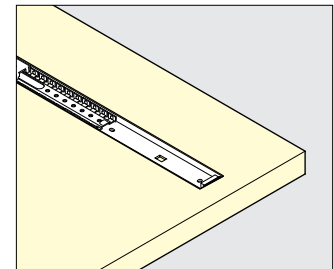
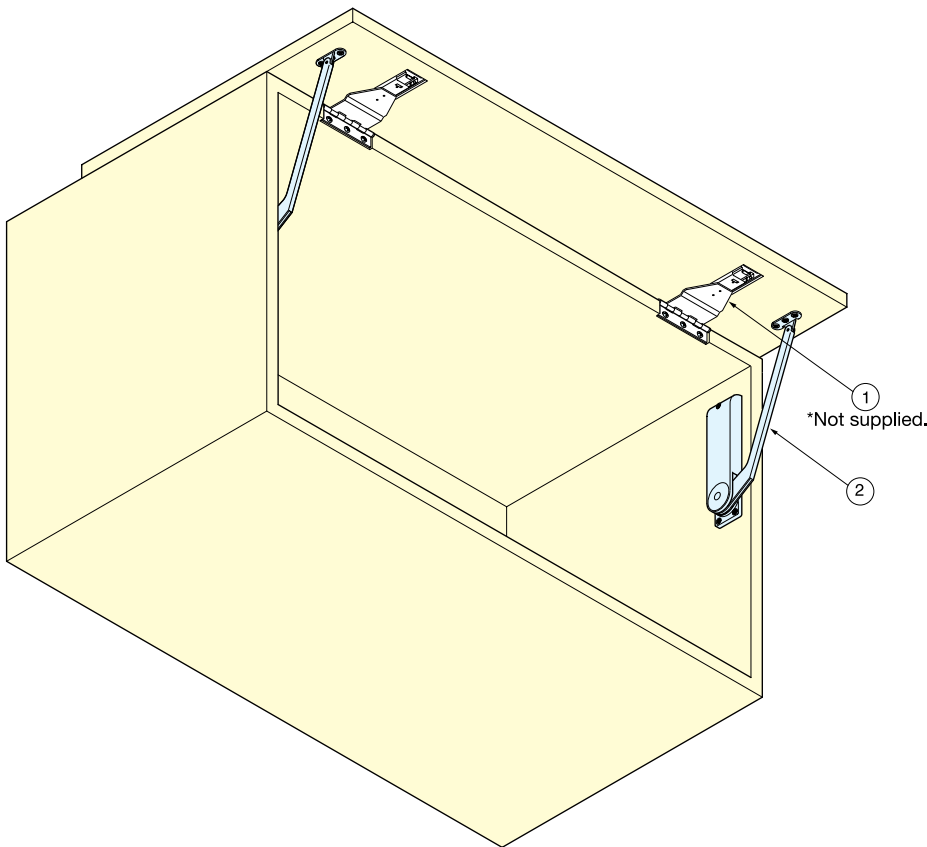


- Patented Lapcon technology offers smooth and quiet motion.
- Doors will not slam shut.
- Successfully passed 30,000 open/close private cycle tests.

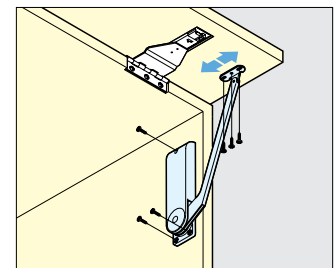
Designed to operate at room temperature 32°~104°F (0°~40°C).



■ Installation



① Install ball bearing flipper slide rails. (Not supplied.)



② Mount the OVN unit to the side wall of the cabinet as illustrated in installation instructions provided with the product.

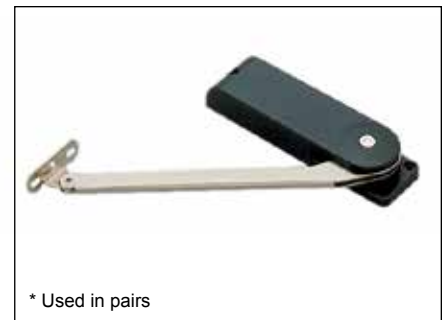
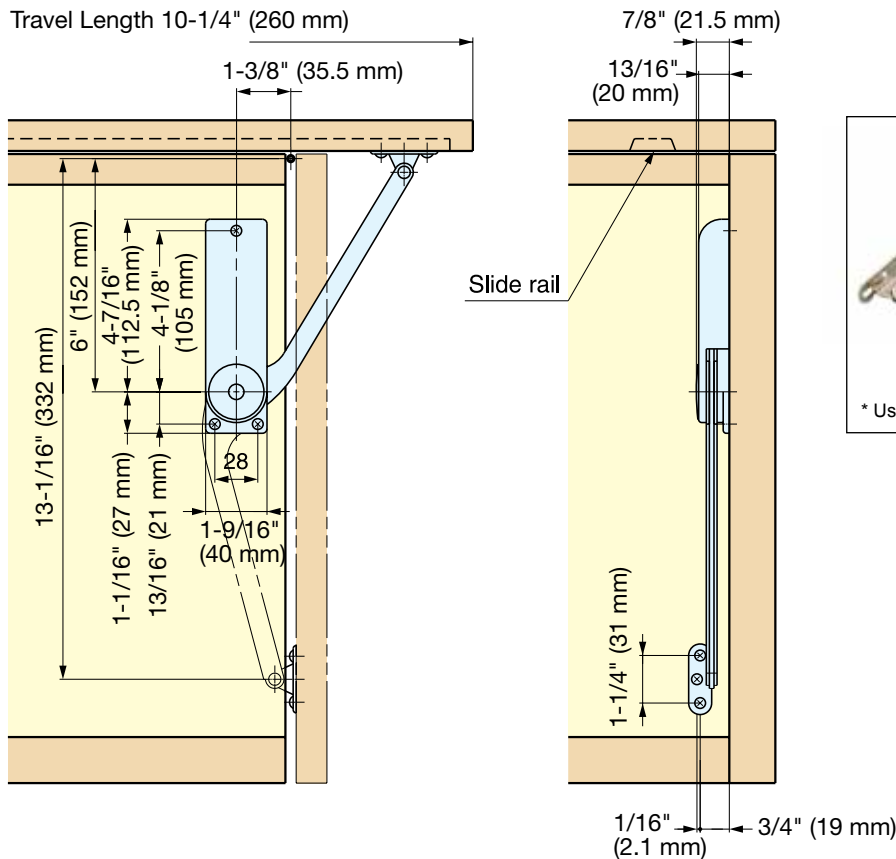
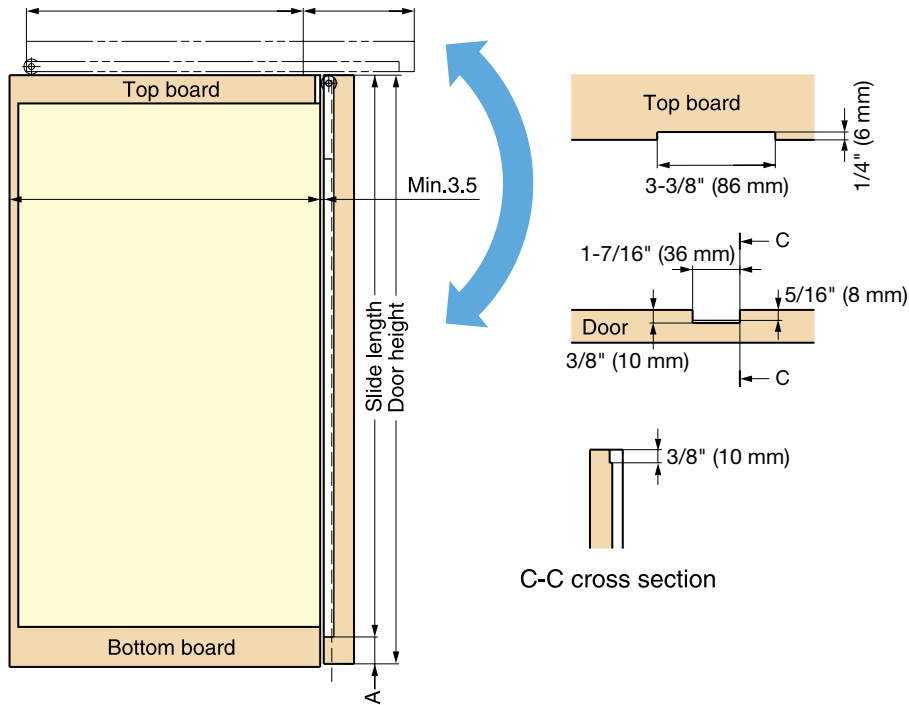
Recommended Door Size and Weight

Item No.	Body Color	Door Weight	Door Height	Depth of Cabinet	Weight (g)	Box (pcs)	Carton (pcs)
OVN-3/BLK	Black (BLK)	6.6~11.0 lbs (3~5 kg)	Approx. 15~3/4" (400 mm)	13-3/4"~15-3/4" (350~400 mm)	220	40	400
OVN-5/BLK		11.0~15.4 lbs (5~7 kg)			240		

SOFT CLOSING MECHANISM

■ Cabinet Preparation

$$B = \text{Door height} - (3\text{-}9/16" (90 \text{ mm}) + A) \quad 3\text{-}9/16" (90 \text{ mm}) + A$$



Part Name	Material	Finish/Color
Housing	ABS	Black
Arm and Mounting Plate	Steel	Nickel