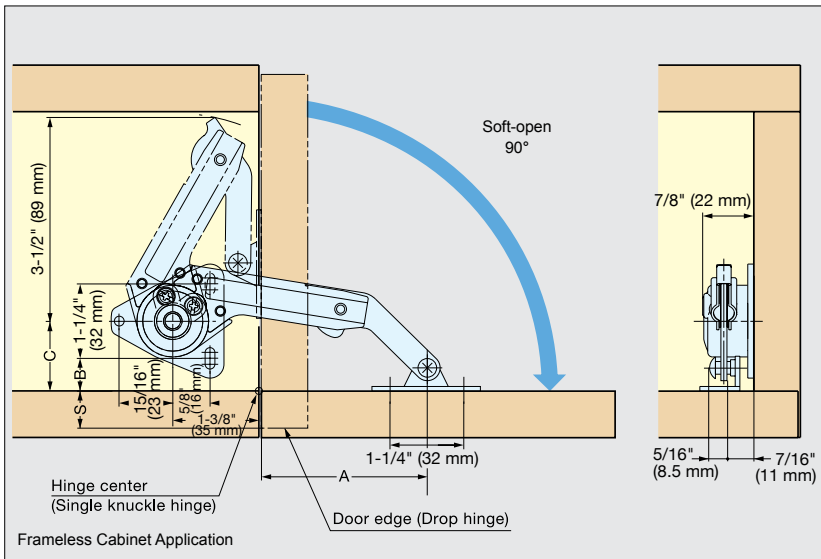
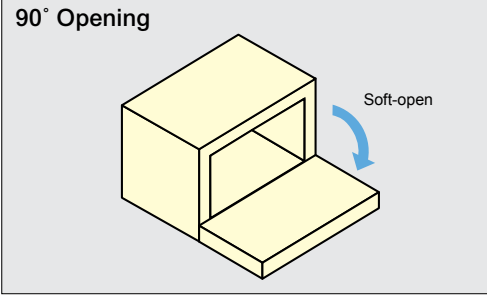


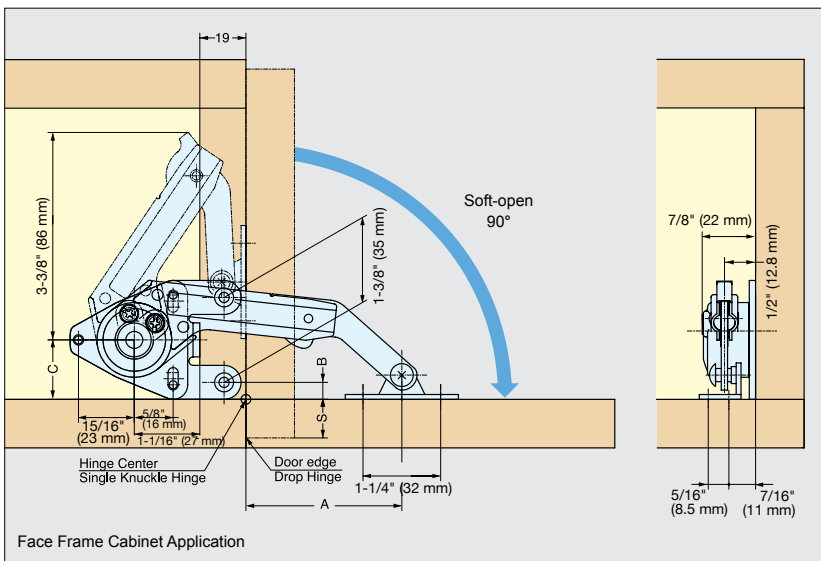


- For DOWNWARD-OPENING FLAP DOOR used with piano, butt or drop hinges (SDH-001, SDH-P, P.238).
- Short arm type designed for small door application.
- Torque Calculation :  
Torque = Door Height × 0.5 × Door Weight  
Per Piece : 8.7~17.4 lbs-in (10~20 kgf-cm)  
Per Pair : 17.4~34.7 lbs-in (20~40 kgf-cm)



Hinge Type	A	B	C
Drop Hinge	2-9/32"+S (58 mm +S)	9/16" (14 mm)	1-3/16" (30 mm)
Single Knuckle Hinge	2-13/16" (71 mm)	1-1/16" (27 mm)	1-11/16" (43 mm)

\*"S"dimension is the overlay coverage for drop hinge(s).



Face Frame Bracket: FFCB-SD-1  
(Sold separately, see P.345)



Hinge Type	A	B	C
Drop Hinge (SDH-001)	1-7/8"+S (48 mm+S)	9/32" (74 mm)	31/32" (24.5 mm)
Single Knuckle Hinge	32 (2-7/16")	13/16" (20.5 mm)	1-1/2" (38 mm)

\*"S"dimension is the overlay coverage for drop hinge(s).

Item No.	Material	Finish	Weight (g)	Box (pcs)	Carton (pcs)
NSDX-10RK/TV	Zinc Alloy/Steel	Nickel	143	20	80
NSDX-10LK/TV					