

# RECESSED SNAP-IN HOOK (W/SOFT CLOSE)



**LOAD CAPACITY**  
30 kg  
66 lbs

## NF-60DF

- Easy Installation and removal. Surface mount (snap-in) type for sheet metal, bracket not needed.
- Hook is spring loaded to retract and soft close.
- Convenient screw installation from the front side of the hook, screw cover is provided.
- Ideal for vibration or shock applications.
- Panel thickness range for sheet metal: 1/16"~3/16" (1~4mm).

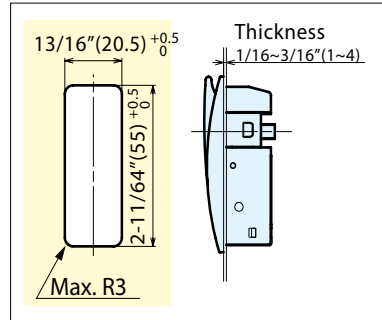


NF-60DF-BL

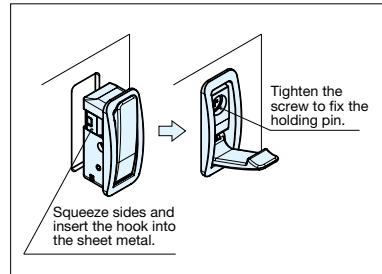


NF-60DF-MSL

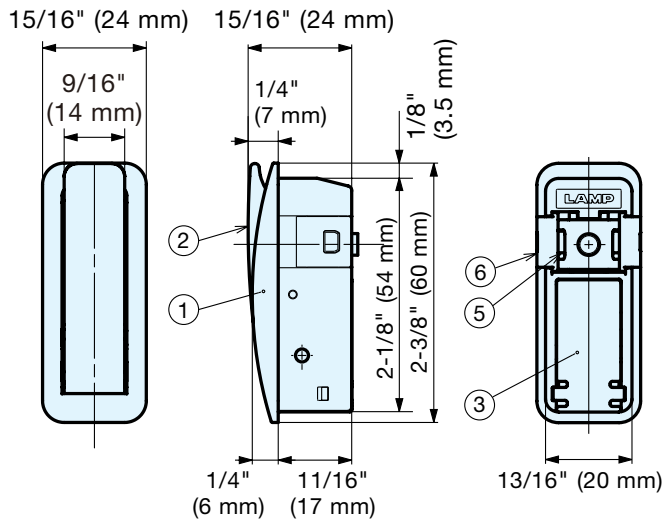
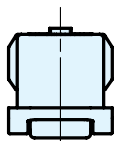
Sheet Metal: 1/16"~3/16" (1~4mm)



Cut Out Dimensions



Installation



No.	Part Name	Material	Finish
①	Body	Aluminum Alloy	Black (BL), Metallic Silver (MSL)
②	Arm		
③	Cover	Plastic (POM)	Dark Grey
④	Cushion Rubber	CR	Black, Metallic Silver
⑤	Nut	Zinc Die Cast (ZDC)	Chromate
⑥	Holding Pin		
⑦	Screw	304 Stainless Steel	Plain

Item No.	Color	Load Capacity	Weight (g)	Box (pcs)	Carton (pcs)
NF-60DF-BL	Matte Black	66 lbs (30 kg)	54	10	200
NF-60DF-MSL	Metallic Silver				