

# ULTRA MINI GUIDE RAIL



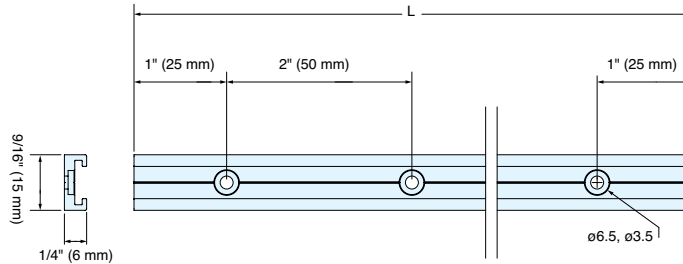
## MRS-15



MRS-15

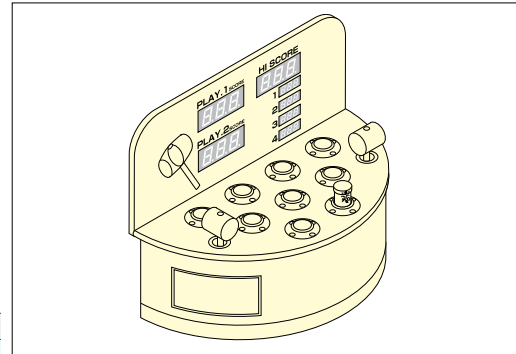


MRS15 with MR-15CS Mini Guide Block (sold separately).



Item No.	L	N	Weight (g)	Box (pcs)
MRS15-100	3-15/16" (100 mm)	2	14.5	200
MRS15-200	7-7/8" (200 mm)	4	29.0	200
MRS15-400	15-3/4" (400 mm)	8	58.0	100
MRS15-800	31-1/2" (800 mm)	16	117.0	80

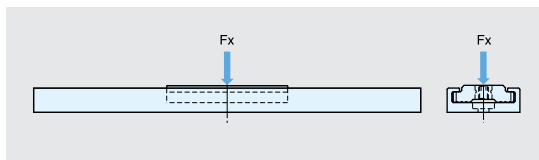
- Perfect for small stroke application.
- Polyethylene resin with excellent sliding properties eliminates the need for grease or oil.
- Polyethylene resin has a high chemical resistance.
- UL94 HB grade flame retardant.
- Block and rail sold separately.



Material	Finish
Aluminum	Anodized

\*Both ends of rail are not anodized.

### MRS 15, MR-15CS LOAD RATING INFORMATION



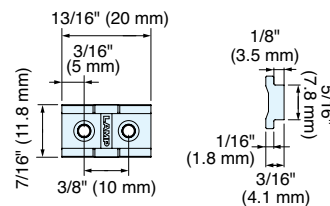
Horizontal Static Load Fx	10.2 kgf (22.48 lbs)
Vertical Static Load Fy	3.0 kgf (6.61 lbs)

Certain reduction needs to be applied depending on application or environment.  
 Low speed/Low operation frequency = 70% to 100% of Load Rating  
 Moderate speed/High operation frequency = 35% to 65% of Load Rating  
 High operation frequency with Vibration & Shocks = 10% to 30% of Load Rating

# (ULTRA) MINI GUIDE BLOCK



## MR-15CS



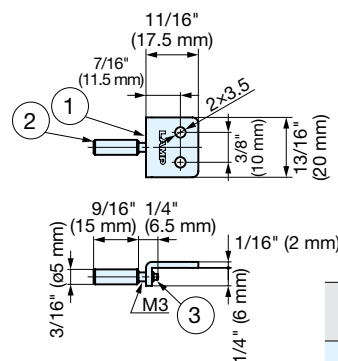
Item No.	Weight (g)	Box (pcs)	Carton (pcs)
MR-15CS	1	150	1000

No.	Material	Finish
①	Polyethylene (UL 94HB)	Grey
②	304 Stainless Steel	Plain

# CLAMP (FOR MINI GUIDE RAIL MRS)



## MR-15CLP



- Clamp used for temporary holding and positioning for mini guide rail MRS.
- Easy to fix in place by simply pushing on the sides of the rail.
- Threaded knob for easy use.

No.	Material	Material	Finish
①	Plate	304 Stainless Steel	Barrel Polished
②	Knob Body	303 Stainless Steel	Plain
③	Knob Tip	Polyacetal (POM)	Black

Item No.	Retaining Force N (reference value)	Knob Tightening Torque N·m	Weight (g)
MR-15CLP	7 or below	0.05 or below	8.6