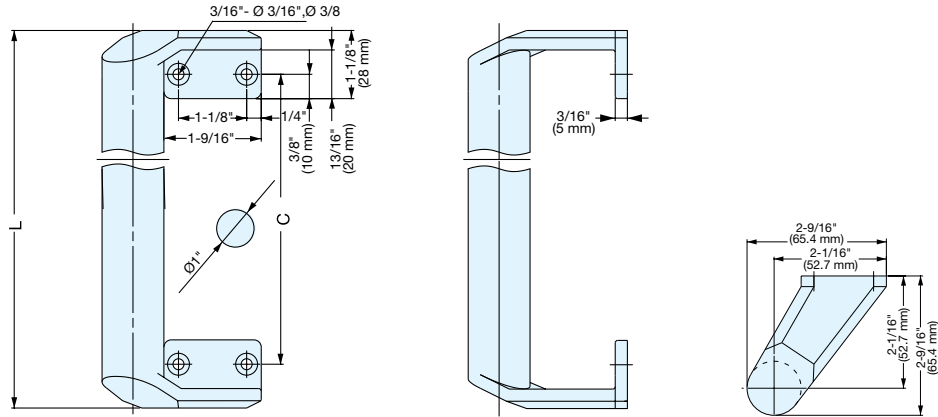


LARGE HANDLE



MP-500, 750, 1000



- Ideal for harsh and high corrosive environments.
- Designed for machinery applications where a heavy duty handle is required.

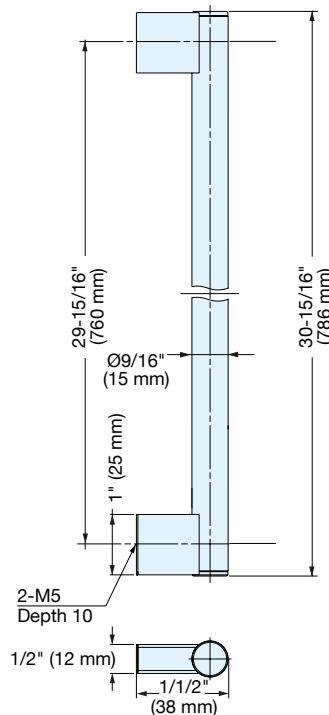
Item No.	L	C	Weight (g)	Box (pcs)	Carton (pcs)
MP-500	19-11/16" (500 mm)	18-1/4" (464 mm)	1000	2	20
MP-750	29-1/2" (750 mm)	28-1/8" (714 mm)	1300		16
MP-1000	39-3/8" (1000 mm)	37-15/16" (964 mm)	1600		12

Material	Finish
316 Stainless Steel	Mirror

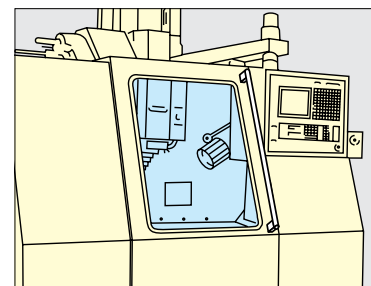
LARGE HANDLE



RH-760



- Low profile design.
- Designed for machinery applications where a heavy duty handle is required.
- Recommended screw size: M5



Item No.	L	C	Weight (g)	Box (pcs)	Carton (pcs)
RH-760	30-15/16" (786 mm)	29-15/16" (760 mm)	340	20	200

Material	Finish
304 Stainless Steel	Satin