

MULTI-ROLLER LINEAR GUIDE



MLGX32

DRAWER SLIDES

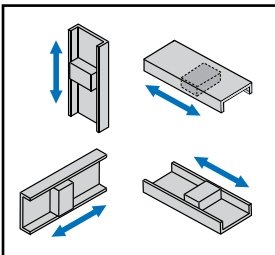
MULTI-ROLLER LINEAR GUIDE



Multiple guide blocks can be used in a guide rail.

- The unique "Dual X" structure:
 - Ensures smooth, reliable motion for both horizontal and vertical applications.
 - Resists moment loads in multiple directions to provide dependable linear motions.
 - Is preloaded to deliver precise and stable movement.
- With an operating load of 67 lbs, the MLGX32 delivers robust support for applications where light-duty guides fall short but heavy-duty performance is unnecessary.
- Compatible with applications requiring a motor drive.
- Ideal for automated machinery, medical, analysis or food equipment, and kiosks.

Mounting Direction



Can be mounted in the following directions.

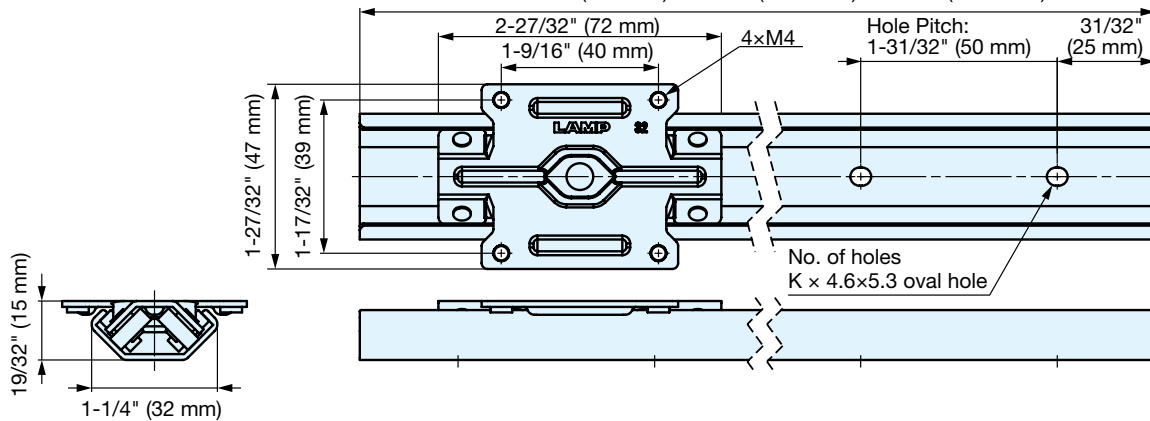
Dual X Structure



Rollers are located at two different angles to resist both horizontal and vertical loads.

Available Fixed Rail Lengths

7-7/8" (200 mm) / 11-13/16" (300 mm) / 15-3/4" (400 mm) / 23-5/8" (600 mm)
 31-1/2" (800 mm) / 39-3/8" (1000 mm) / 47-1/4" (1200 mm)

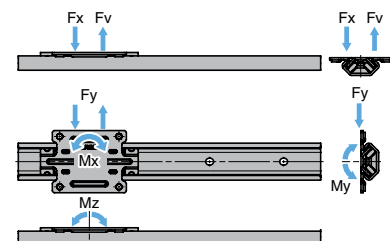


The figure shows the dimensions when the guide rail and a guide block are combined.

Rated Load Reference Values

Loading Direction	Horizontal Load Fx	Vertical Load Fy	Horizontal Load Fz
Max. Load Capacity	112 lbs (51.0 kg)	112 lbs (51.0 kg)	44.9 lbs (20.4 kg)
Operating Load	67.4 lbs (30.6 kg)	67.4 lbs (30.6 kg)	26.8 lbs (12.2 kg)

Loading Direction	Moment Mx	Moment My	Moment Mz
Max. Moment	70.8 lbs·in (81.6 kg·cm)	26.5 lbs·in (30.6 kg·cm)	70.8 lbs·in (81.6 kg·cm)
Operating Moment	42.4 lbs·in (48.9 kg·cm)	15.8 lbs·in (18.3 kg·cm)	42.4 lbs·in (48.9 kg·cm)



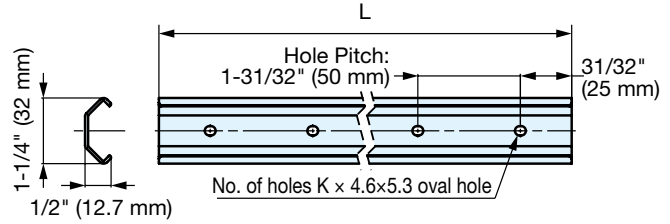
MULTI-ROLLER LINEAR GUIDE RAIL



MLGX32



• Simple installation reduces set up time.
 Note: Grease is applied to rail
 - If additional is needed, use lithium soap grease.



Item No.	L	No. of Holes (K)	Material	Weight (g)	Box (pcs)
MLGX32-200S	7-7/8" (200 mm)	4	304 Stainless Steel	109	50
MLGX32-300S	11-13/16" (300 mm)	6		164	25
MLGX32-400S	15-3/4" (400 mm)	8		218	25
MLGX32-600S	23-5/8" (600 mm)	12		327	10
MLGX32-800S	31-1/2" (800 mm)	16		436	10
MLGX32-1000S	39-3/8" (1000 mm)	20		545	10
MLGX32-1200S	47-1/4" (1200 mm)	24		654	10

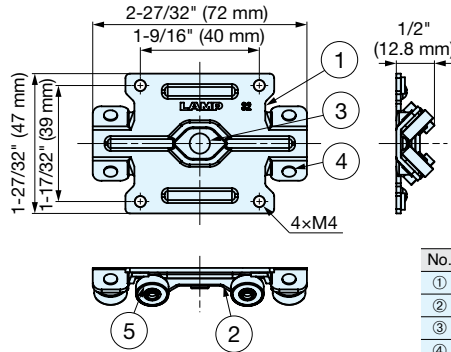
MULTI-ROLLER LINEAR GUIDE BLOCK



MLGX-32C-8



• Delivers consistent linear motion when faced with moment loads in any direction.



No.	Part Name	Material
①	Mounting Plate	430 Stainless Steel
②	Holding Plate	
③	Caulking Pin	303 Stainless Steel
④	Roller Pin	XM7 Stainless Steel
⑤	Bearing Roller	Steel

Item No.	Weight (g)	Box (pcs)	Carton (pcs)
MLGX-32C-8	65	10	100

Operating Load/Moment and Travel Distance (Life) Guidelines

Condition: 200 mm/sec of speed

