

PUSH-TO-OPEN DOOR LATCH (DOOR UP TO 36"X96")



ML-ZN80

CATCHES & LATCHES

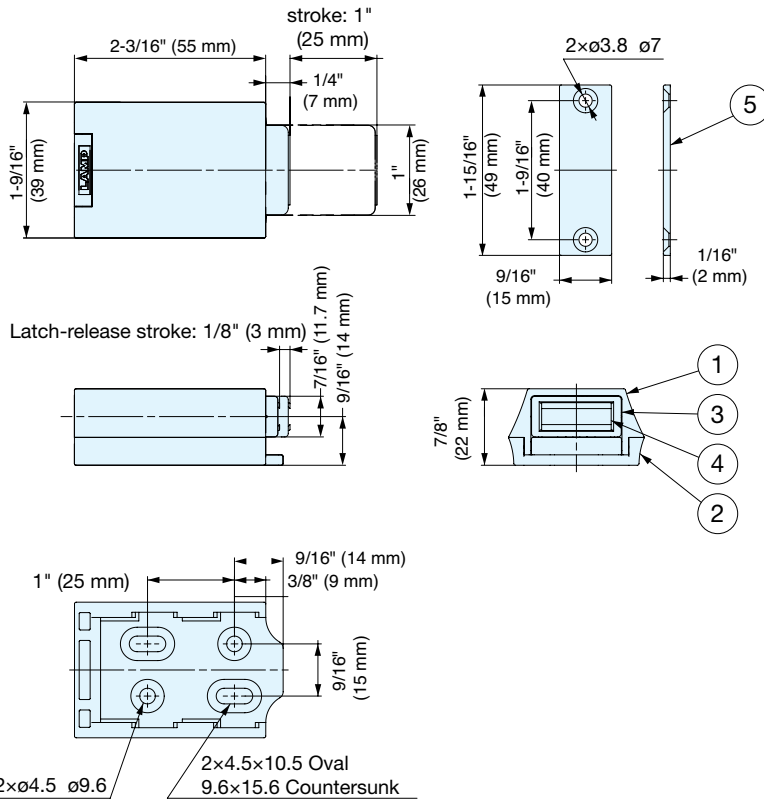
PUSH-TO-OPEN DOOR LATCH



ML-ZN80WT

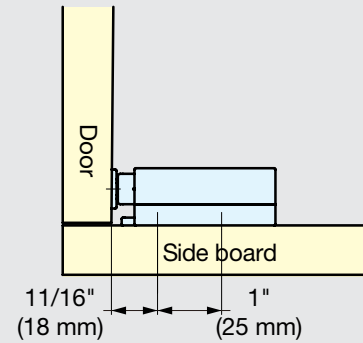
ML-ZN80BL

- For doors up to 36" x 96" with a push force of 11 lbs. Ideal for use with the HES3D-E190 Concealed Door Hinge series.
- Magnet allows tolerance with 1.5° swivel.
- Hidden Mounting Screw Design for clean appearance and easy installation.
- Passed 100,000 open/close private cycle test.

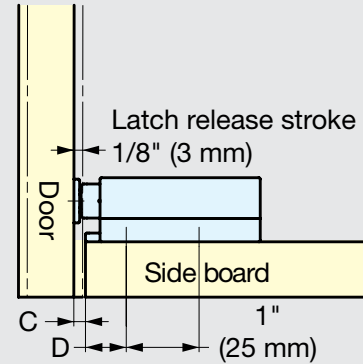


[Installation]

• Inset Doors



• Overlay Doors



Please make sure there is a "C Clearance" on the side board. It makes the installation easier to align the edge of the body to the edge of the side board.



No.	Part Name	Material	Finish/Color
①	Body	Zinc Alloy	White (WT), Black (BL)
②	Mounting Plate		
③	Latch	Plastic (PA)	Plain
④	Magnet	Ferrite	
⑤	Strike Plate	Stainless Steel	Polished

Max. Door Specs (Reference)

Item No.	Magnetic Force	Push Force	Weight (g)	Height	Width	Weight (lbs)	Box (pcs)	Carton (pcs)
ML-ZN80-WT	6.6 lbs (3 kg)	11 lbs (5 kg)	160	96-1/16" (2440 mm)	36" (915 mm)	275 (125 kg)	10	40
ML-ZN80-BL								
ML-ZN80-BR								