

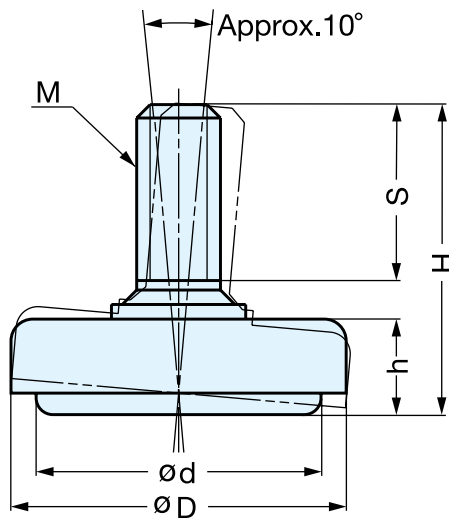
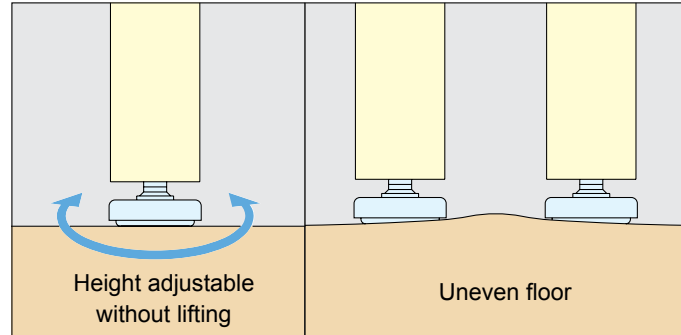
**STAINLESS STEEL LEVELING GLIDE (W/RUBBER PAD)**



**MKRS**



- Leveling glide with elastomer base to prevent skidding.
- Double structure of cover/bolt and base allow easy height adjustment without lifting the leg.
- Swivels approximately 10° to compensate for uneven floors.
- 304 stainless steel construction is ideal for humid environments or application where corrosion is an issue.



Part Name	Material	Finish
Body	304 Stainless Steel	Satin
Base	Elastomer	Black

Item No.	M	D	d	H	h	S	Load Capacity	Weight (g)	Box (pcs)	Carton (pcs)
MKRS-32N3	W3/8-16	1-1/4" (32 mm)	1-1/16" (27 mm)	1-13/32" (36 mm)	7/16" (11 mm)	27/32" (21 mm)	88 lbs (40 kg)	50	60	480
MKRS-40N3	W3/8-16	1-9/16" (40 mm)	1-11/32" (34 mm)	1-15/32" (37 mm)	7/16" (11.4 mm)	27/32" (21 mm)	176 lbs (80 kg)	70	40	320
MKRS-50N3***	W3/8-16	1-31/32" (50 mm)	1-23/32" (44 mm)	1-15/32" (37.5 mm)	7/16" (11.5 mm)	27/32" (21 mm)	220 lbs (100 kg)	90	30	240
MKRS-60M12	M12x1.75	2-3/8" (60 mm)	2-1/8" (54 mm)	2-1/32" (51.5 mm)	7/16" (11.5 mm)	1-3/8" (35 mm)	220 lbs (100 kg)	150	15	120
MKRS-70M14	M14x2	2-3/4" (70 mm)	2-17/32" (64 mm)	2-1/32" (51.5 mm)	7/16" (11.5 mm)	1-3/8" (35 mm)	220 lbs (100 kg)	200	15	120

\*\*\* Only Item No.MKRS-50N3 is not RoHS compliant.