

# LEVELING GLIDE (W/RUBBER PAD)

**LOAD CAPACITY**  
40-60 kg  
88-132 lbs

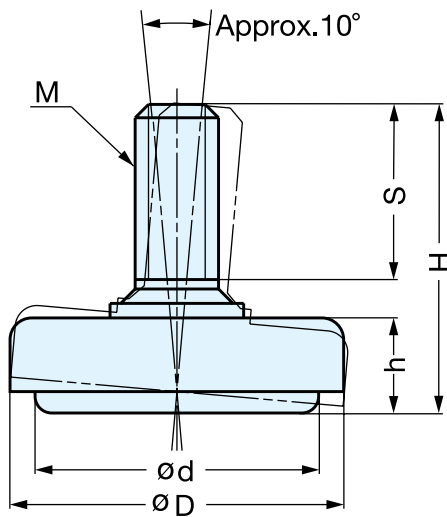
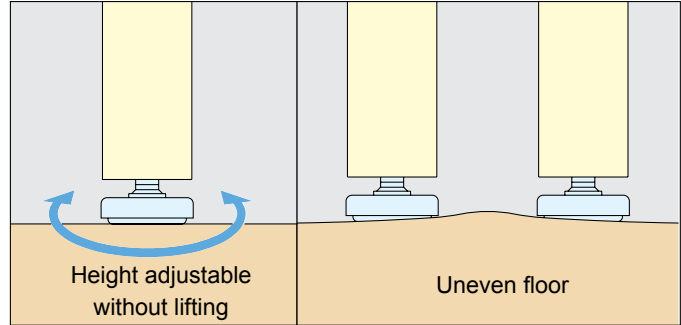
**MKR**

CASTERS & LEVELING GLIDES

LEVELING GLIDES / STAINLESS STEEL LEVELING GLIDES



- Leveling glide with elastomer base to prevent skidding.
- Double structure of cover/bolt and base allow easy height adjustment without lifting the leg.
- Swivels approximately 10° to compensate for uneven floors.
- Includes slide base KD-555-28(P.667) at no charge.



Part Name	Material	Finish
Body	Steel	Chrome
Base	Elastomer	Black

Item No.	M	D	d	H	h	S	Load Capacity	Weight (g)	Box (pcs)	Carton (pcs)
MKR-32	W3/8-16	1-1/4" (32 mm)	1-1/16" (27 mm)	1-13/32" (36 mm)	7/16" (11 mm)	27/32" (21 mm)	88 lbs (40 kg)	41	80	480
MKR-40	W3/8-16	1-9/16" (40 mm)	1-11/32" (34 mm)	1-15/32" (37 mm)	7/16" (11.4 mm)	27/32" (21 mm)	132 lbs (60 kg)	60	50	300
MKR-50	W3/8-16	1-31/32" (50 mm)	1-23/32" (44 mm)	1-15/32" (37.5 mm)	7/16" (11.5 mm)	27/32" (21 mm)	132 lbs (60 kg)	87	20	120