

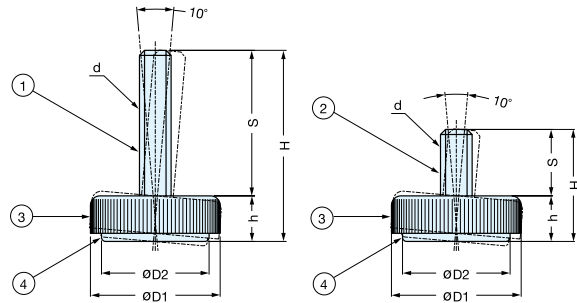
# LEVELING GLIDE

**LOAD CAPACITY**  
60-80 kg  
132-176 lbs

## MKR-N



- Base adjusts up to 10°, maintaining balance even on lightly sloping surfaces.
- Design allows for easy height adjustment.
- Durable unit distributes load evenly.
- Base coated with non-slip synthetic rubber that reduces floor damage.



MKR-N50M10H60

Other Glides

No.	Part Name	Material	Finish
①	Bolt	Steel	Yellow Zinc Chromate
②	Bolt	Steel	Chrome
③	Cover	Polyamide	Black
④	Base	Elastomer	Black

\*For MKR-N50M10H60, Bolt is available only with a Yellow Zinc Chromate finish.

Item No.	d	D <sub>1</sub>	D <sub>2</sub>	H	h	S	Load Capacity	Weight (g)	Box (pcs)	Carton (pcs)
MKR-N32M10	M10	1-5/16" (33 mm)	1-1/16" (27 mm)	1-13/32" (36 mm)	9/16" (14 mm)	7/8" (22 mm)	132 lbs (60 kg)	35	80	480
MKR-N32N3	W3/8						154 lbs (70 kg)	45	50	300
MKR-N40M10	M10	1-5/8" (41 mm)	1-11/32" (34 mm)	1-15/32" (37 mm)	19/32" (15 mm)	7/8" (22 mm)	176 lbs (80 kg)	60	20	120
MKR-N40N3	W3/8						154 lbs (70 kg)	40	50	300
MKR-N50M10	M10	2" (51 mm)	1-23/32" (44 mm)	1-15/32" (37.5 mm)	5/8" (15.5 mm)	1-3/4" (44.5 mm)	176 lbs (80 kg)	60	20	120
MKR-N50M10H60	M10			2-3/8" (60 mm)		7/8" (22 mm)				
MKR-N50N3	W3/8			1-15/32" (37.5 mm)		7/8" (22 mm)				

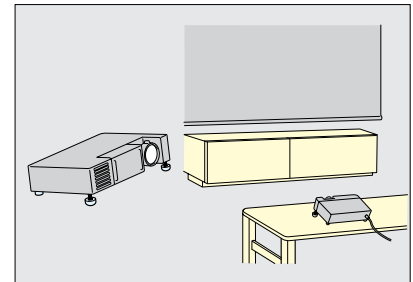
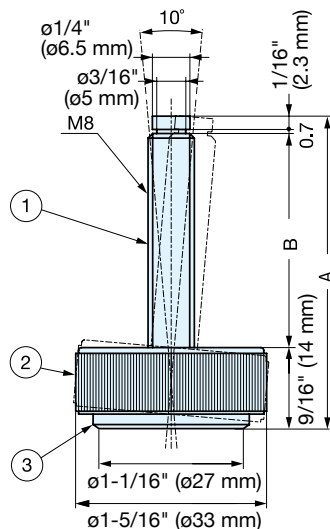
# LEVELING GLIDE

**LOAD CAPACITY**  
46 kg  
100 lbs

## MKR-N32



- Base adjusts up to 10°, maintaining balance even on lightly sloping surfaces.
- Design allows for easy height adjustment.
- Durable unit distributes load evenly.
- Base coated with non-slip synthetic rubber that reduces floor damage.



Application

No.	Part Name	Material	Finish
①	Bolt	Steel	Chromate
②	Cover	Polyamide	Dark Grey
③	Base	Elastomer	Black

Item No.	Color	A	B	Load Capacity	Weight (g)	Box (pcs)	Carton (pcs)
MKR-N32DG32	Dark Gray	1-27/32" (47 mm)	1-3/16" (30 mm)	100 lbs (46 kg)	31	50	300
MKR-N32GR32	Gray						