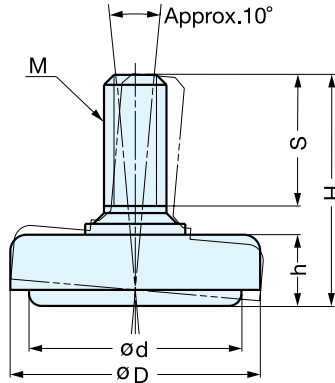


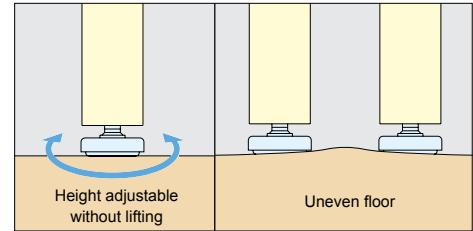
LEVELING GLIDE



MKP



- Double structure of cover/bolt and base allow easy height adjustment without lifting the leg.
- Swivels approximately 10° to compensate for uneven floors.
- Includes slide base KD-555-28(P.667) at no charge.



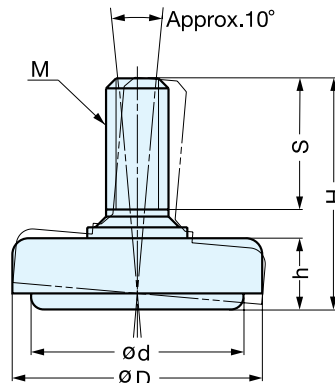
Material	Finish
Steel	Chrome

Item No.	M	D	d	H	h	S	Load Capacity	Weight (g)	Box (pcs)	Carton (pcs)
MKP-32	W3/8-16	1-1/4" (32 mm)	1-1/16" (27 mm)	1-13/32" (36 mm)	7/16" (11 mm)	27/32" (21 mm)	352 lbs (160 kg)	44	80	480
MKP-40	W3/8-16	1-9/16" (40 mm)	1-11/32" (34 mm)	1-15/32" (37 mm)	7/16" (11.4 mm)	27/32" (21 mm)	352 lbs (160 kg)	65	50	300
MKP-50	W3/8-16	1-31/32" (50 mm)	1-23/32" (44 mm)	1-15/32" (37.5 mm)	7/16" (11.5 mm)	27/32" (21 mm)	264 lbs (120 kg)	90	20	120

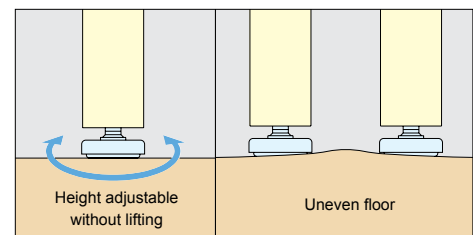
STAINLESS STEEL LEVELING GLIDE



MKPS



- Double structure of cover/bolt and base allow easy height adjustment without lifting the leg.
- Swivels approximately 10° to compensate for uneven floors.
- 304 stainless steel construction is ideal for humid environments or application where corrosion is an issue.



Material	Finish
Stainless Steel	Satin

Item No.	M	D	d	H	h	S	Load Capacity	Weight (g)	Box (pcs)	Carton (pcs)
MKPS-32N3	W3/8-16	1-1/4" (32 mm)	1-1/16" (27 mm)	1-13/32" (36 mm)	7/16" (11 mm)	27/32" (21 mm)	440 lbs (200 kg)	50	60	480
MKPS-40N3	W3/8-16	1-9/16" (40 mm)	1-11/32" (34 mm)	1-15/32" (37 mm)	7/16" (11.4 mm)	27/32" (21 mm)	704 lbs (320 kg)	70	40	320
MKPS-50N3	W3/8-16	1-31/32" (50 mm)	1-23/32" (44 mm)	1-15/32" (37.5 mm)	7/16" (11.5 mm)	27/32" (21 mm)	792 lbs (360 kg)	95	30	240
MKPS-60M12	M12x1.75	2-3/8" (60 mm)	2-1/8" (54 mm)	2-1/32" (51.5 mm)	7/16" (11.5 mm)	1-3/8" (35 mm)	881 lbs (400 kg)	140	15	120