

FLUSH SLIDING DOOR SYSTEM

MFU1200

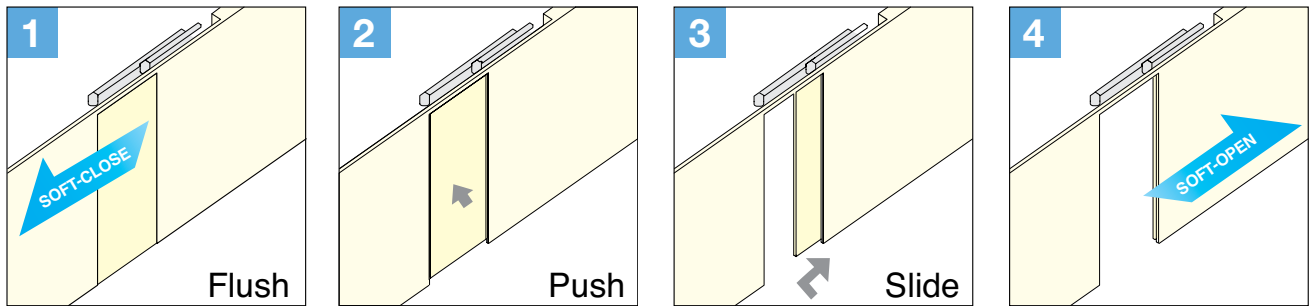
MonoFlat UNISON

	MFU1200-40	MFU1200-70
Door Width	31-1/2"~47-1/4" (800~1200 mm)	
Door Height	Max. 106-5/16" (2700 mm)	
Door Thickness	1-3/16"~1-9/16" (30-40 mm)	
Door Weight	44~88 lbs (20-40 kg)	88~154 lbs (40-70 kg)
Adjustability	Depth: ±1/8" (3.5 mm)	
	Horizontal: ± 3/16" (4 mm)	
	Vertical: ± 3/16" (4 mm)	

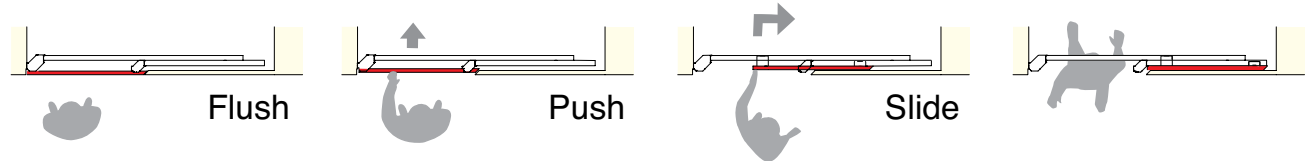
- Winner of The 2022 Architect's Newsletter — Best of Products Award.
- Designed to CLOSE FLUSH against surrounding walls, providing clean appearance.
- UNIQUE MOVEMENT: Recesses in, and then slides sideways.
- CLEAN APPEARANCE: No floor tracks required on MFU-System.
- Excellent performance, reliable and fully adjustable.
- Features two way damper to avoid slamming open or closed.
- DURABILITY: High durability, passed 100,000 open/close cycle test (private).

Item No.	Description	Door Weight
MFU1200-40-L (Light duty Left)	Left to Right Opening	44 - 88 lbs (20-40 kg)
MFU1200-40-R (Light duty Right)	Right to Left Opening	
MFU1200-70-L (Heavy duty Left)	Left to Right Opening	88-154 lbs (40-70 kg)
MFU1200-70-R (Heavy duty Right)	Right to Left Opening	

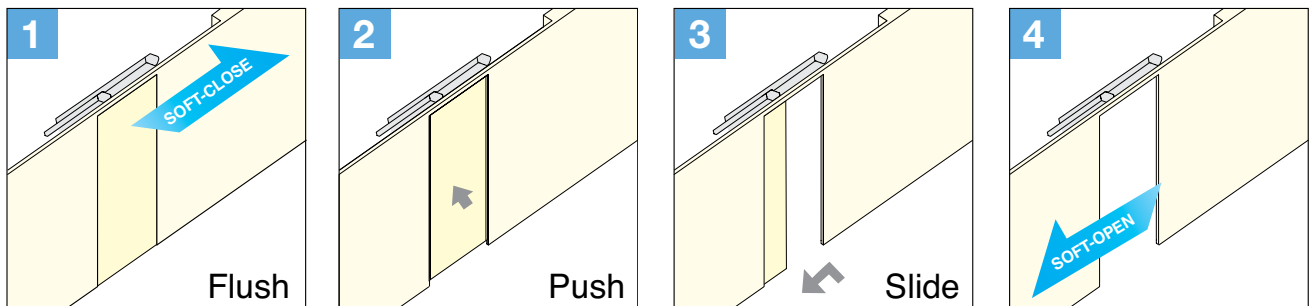
Left to Right Opening Model



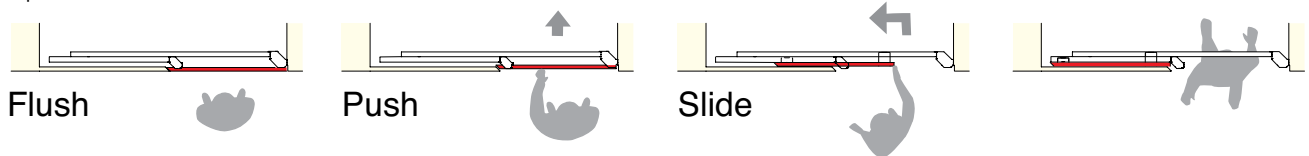
Top View



Right to Left Opening Model



Top View



* The door cannot be opened from the inside without a handle (not included).

FLUSH SLIDING DOOR SYSTEM

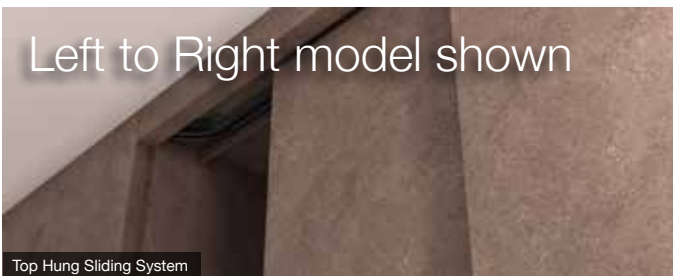
MFU1200

SLIDING & FOLDING
DOOR HARDWARE
FLUSH SLIDING DOOR SYSTEM



[Video Link](#)
Introducing the Flush Sliding Door System: MFU1200

A QR code is located on the left side of the box. To its right, the text reads 'Video Link' and 'Introducing the Flush Sliding Door System: MFU1200'.



Left to Right model shown

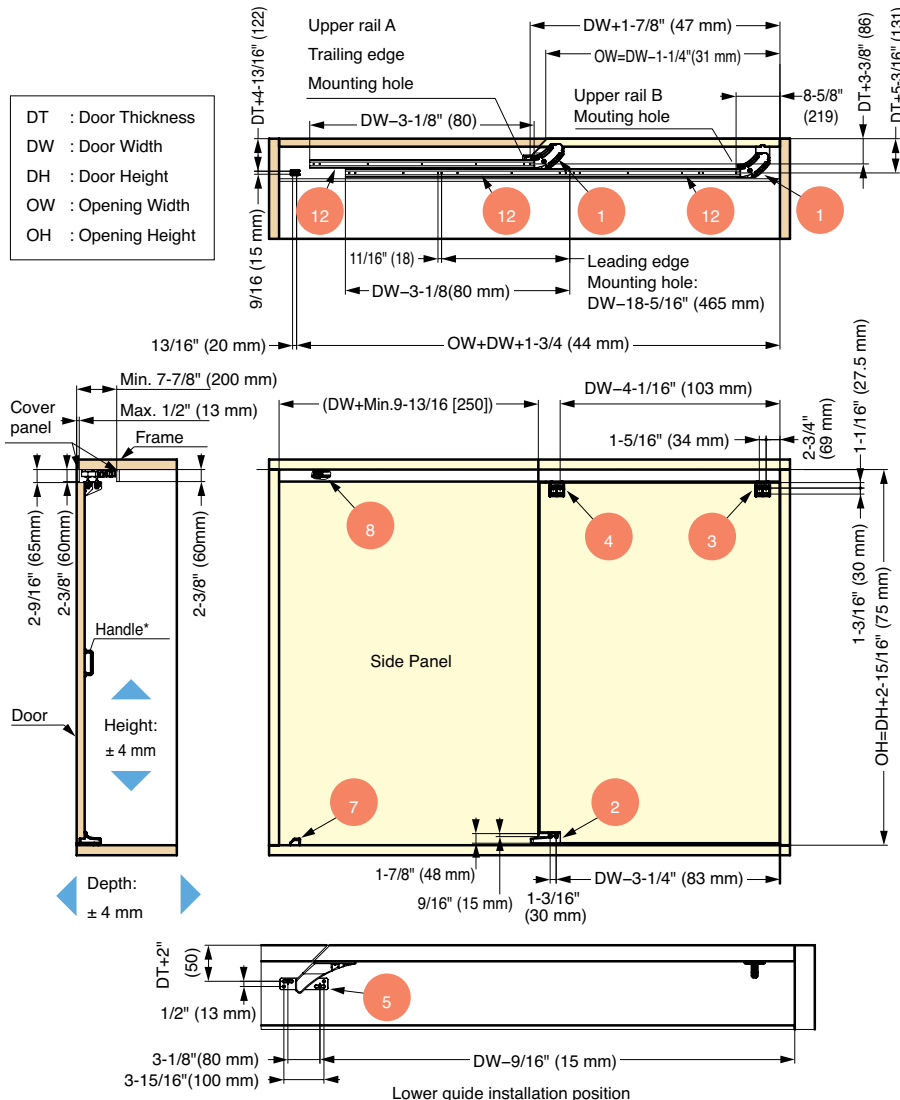


SLIDING & FOLDING DOOR HARDWARE

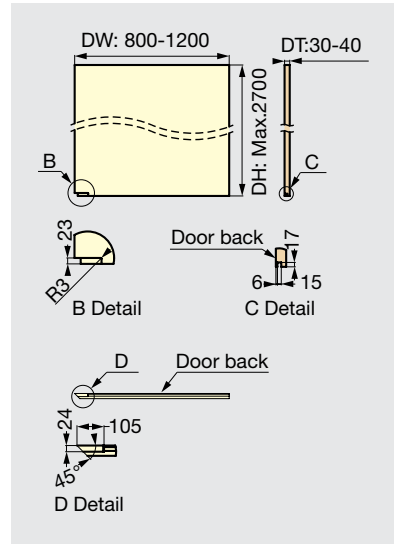
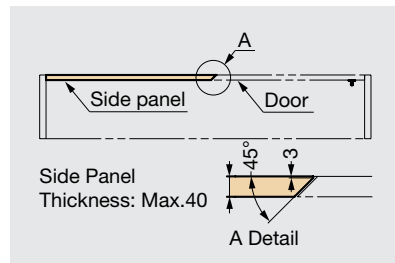
FLUSH SLIDING DOOR SYSTEM

Installation

- DT : Door Thickness
- DW : Door Width
- DH : Door Height
- OW : Opening Width
- OH : Opening Height



Chamfering

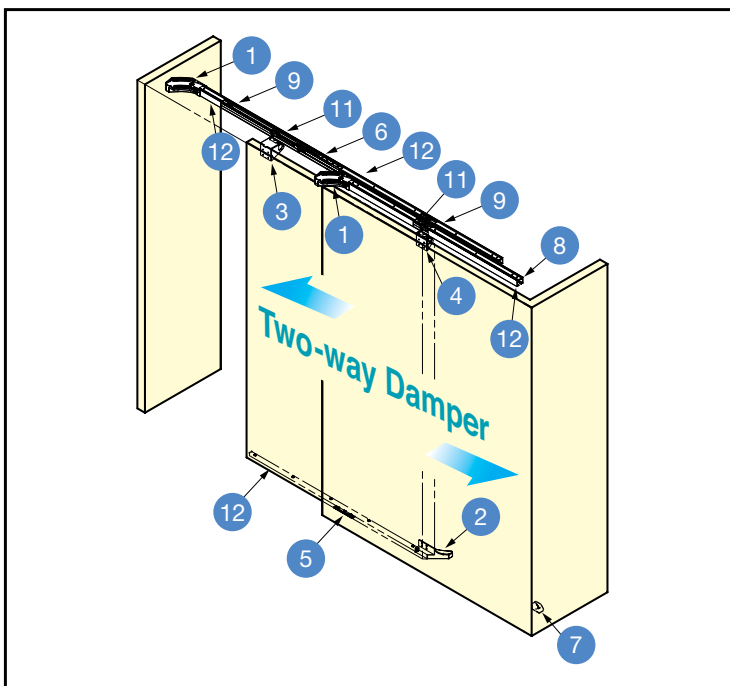


Part Details

Self-Close Rollers		included		
No.	Type	Item No.	Part Name	Description
11	Door Weight 44-88 lbs (20-40 kg)	MFU1200-40DSC-BL	Soft closer (leading edge) 1 pc	<ul style="list-style-type: none"> Material: steel/POM Finish: electro-deposition / black
	Door Weight 88-154 lbs (40-70 kg)	MFU1200-70DSC-BL	Door roller (trailing edge) 1 pc	<ul style="list-style-type: none"> Material: steel Finish: electro-deposition / black

Tracks		included		
No.	Item No.	Part Name	Drawing	Description
12	MFU1200-RS-BL	Upper track A* 44-1/16" (1120mm) 2 pcs	<ul style="list-style-type: none"> Material: aluminium alloy Finish: black anodizing + coating / clear 	<ul style="list-style-type: none"> Material: aluminium alloy Finish: black anodizing + coating / clear
		Upper track B 33-7/16" (850mm) 1 pc		
		Bottom guide channel 43-5/16" (1100mm) 1 pc		

* Cut upper track A and bottom track according to the door size.



Item Name	Description
MFU1200-L-BL	Left to Right Opening
MFU1200-R-BL	Right to Left Opening

Detail

No.	Qty	Part Name	Drawing (L type) in mm	Description
1	2	Guiding track (top)		<ul style="list-style-type: none"> Material: aluminium alloy Finish: enamel / black
2	1	Guiding track (bottom)		<ul style="list-style-type: none"> Material: aluminium alloy Finish: enamel / black
3	1	Bracket (leading edge)		<ul style="list-style-type: none"> Material: steel Finish: enamel / black
4	1	Bracket (trailing edge)		<ul style="list-style-type: none"> Material: steel Finish: enamel / black
5	1	Bottom guide		<ul style="list-style-type: none"> Material: steel / POM Finish/Color: electro-deposition / black
6	1	Connecting plate		<ul style="list-style-type: none"> Material: steel Finish: electro-deposition / black
7	1	Door stopper (floor)		<ul style="list-style-type: none"> Material: zinc alloy / elastomer Finish/Color: chromate treatment (trivalent)/grey
8	1	Bumper block		<ul style="list-style-type: none"> Material: steel/elastomer Finish/Color: chromate/grey
9	2	Trigger		<ul style="list-style-type: none"> Material: steel Finish: chromate treatment (trivalent)
10	1	Jig		<ul style="list-style-type: none"> Item Name: FD80-TRJ Material: POM Color: green