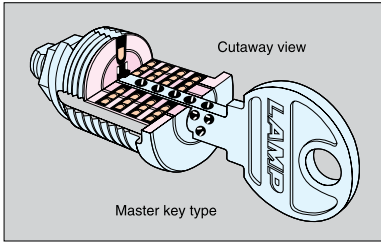
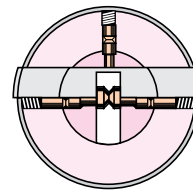


# MILLION LOCK SERIES

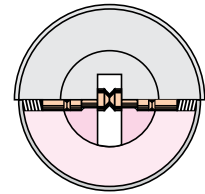


- Dimple key lock series.
- Cylinder changeable type.
  - One cylinder can be used on 3 different types of locks. (1830, 6830 and 1330GL)
  - Using with master key system allows easy key management.

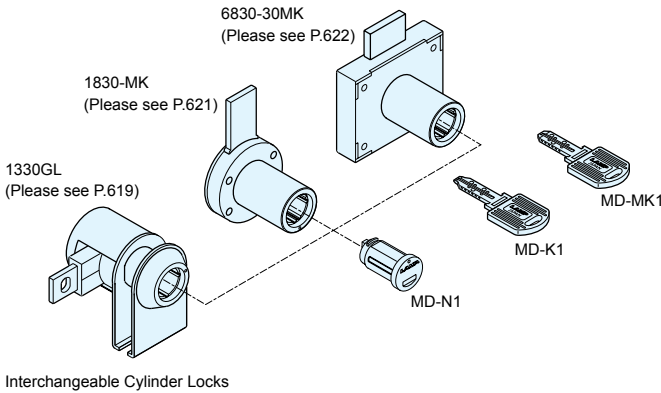
Interchangeable Cylinder + Million Lock = Complete Assembly  
 Example: MD-N1 + 6830-30MK/DN



Master key type

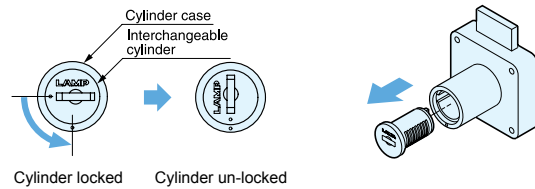


Standard key type



### To remove the cylinder:

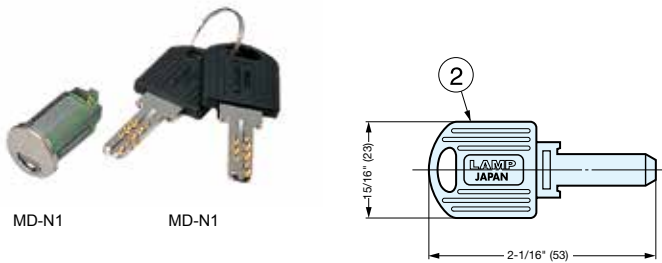
Turn cylinder by using cylinder change key (optional).  
 Match dots on cylinder and case.  
 Pull key to detach.



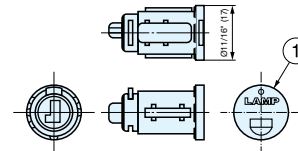
## INTERCHANGEABLE CYLINDER KEY



### MD-N1



- Cylinder and key set for 1830, 6830 and 1330GL locks.
- Interchangeable feature allows easy cylinder replacement in case key is lost.
- Up to 7,800 key changes available. (750 key changes per master key.)
- Keyed Alike (KA) or Keyed Different (KD) available. Please specify when ordering.



Item No.	Component	Weight (g)	Box (pcs)	Carton (pcs)	No.	Component	Material	Finish
MD-N1	Cylinder	21	12	60	①	Interchangeable Cylinder	304 Stainless Steel/Zinc Alloy	Polished/Yellow Zinc Chromate
	Key	12			②	Key	Brass/ABS	Nickel/Black

## INTERCHANGEABLE CYLINDER KEY



### MD-MK1, K1



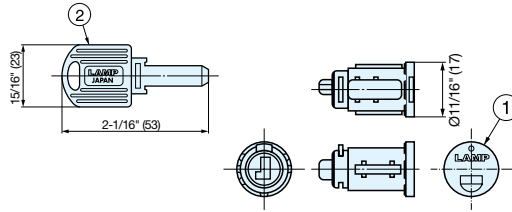
- MD-MK1 - Master key for easy key management.
- MD-K1 - Key to remove existing cylinder only. Does NOT open lock.

Item No.	Key Type	Weight (g)	Box (pcs)	Carton (pcs)	Material	Finish/Color
MD-MK1	Master Key	12	1	10	Brass/ABS	Nickel/Black
MD-K1	Change Key					

# INTERCHANGEABLE CYLINDER & KEY



## MD-N1



- Cylinder and key set for 1830, 6830 and 1330GL locks.
- Interchangeable feature allows easy cylinder replacement in case key is lost.
- Up to 7,800 key changes available. (750 key changes per master key.)
- Keyed Alike (KA) or Keyed Different (KD) available. Please specify when ordering.

Item No.	Component	Weight (g)	Box (pcs)	Carton (pcs)	Component	Material	Finish
MD-N1	Cylinder	21	12	60	Cylinder	304 Stainless Steel/Zinc Alloy	Polished/Yellow Zinc Chromate
	Key	12			Key	Brass/ABS	Nickel/Black

# INTERCHANGEABLE CYLINDER KEY



## MD-MK1, K1



- MD-MK1 - Master key for easy key management.
- MD-K1 - Key to remove existing cylinder only. Does NOT open lock.

Item No.	Key Type	Weight (g)	Box (pcs)	Carton (pcs)	Material	Finish/Color
MD-MK1	Master Key	12	1	10	Brass/ABS	Nickel/Black
MD-K1	Change Key					

# CABINET LOCK (HOUSING)



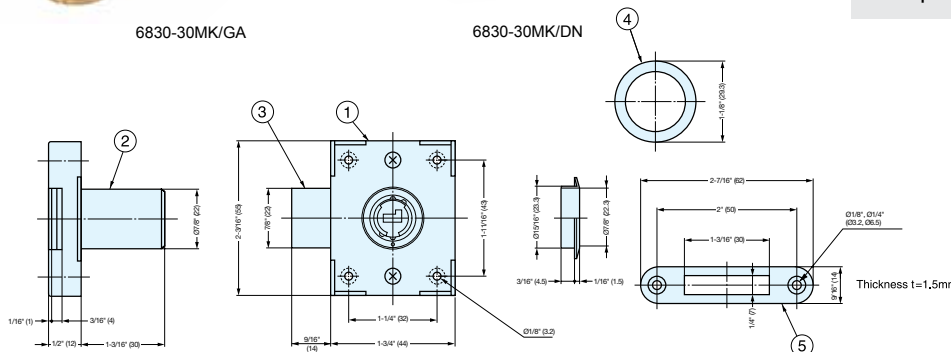
## 6830-30MK



6830-30MK/GA

6830-30MK/DN

- Cylinder lock with stainless steel body.
- Interchangeable Cylinder Lock
- Cylinder can be changed by using change key MD-K1. Easy to replace cylinder in case key is lost.
- Up to 7,800 key changes available. (750 key changes per master key.)
- Cylinder housing Diameter: 7/8" (22 mm)
- 1/16" (2 mm) plastic distance plate 6810-SP available for various door thickness. See P.581
- \* Cylinder housing only. Interchangeable Cylinder MD-N1 must be ordered for a complete assembly.



Master Key, Interchangeable Cylinder & Key are sold separately. See P.619

Item No.	Door Thickness	Finish	Weight (g)	Box (pcs)	Carton (pcs)
6830-30MK/GA	1-3/16" (30)	Gold/Clear	180	12	60
6830-30MK/DN	1-3/16" (30)	Nickel			

(units in mm)

No.	Part Name	Material	Finish
①	Body	304 Stainless Steel	Satin
②	Cylinder Housing	Zinc Alloy	Satin Nickel (DN)/Gold (GA)
③	Dead Bolt	304 Stainless Steel	-
④	Ring	Brass	Satin Nickel (DN)/Gold (GA)
⑤	Counterplate	304 Stainless Steel	Satin