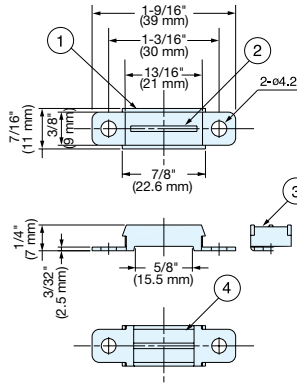


STAINLESS STEEL MAGNETIC CATCH



MC-YN005-N/YN005

CATCHES & LATCHES



- Thin magnetic catch ideal for tight spaces.
- MC-YN005-N: stronger magnetic force by using Neodymium magnet.

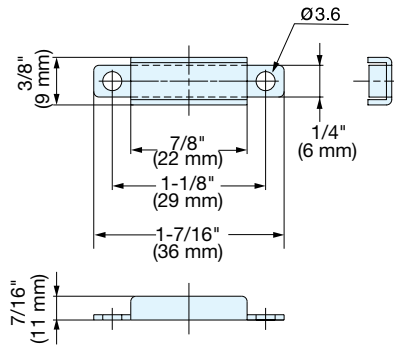
Item No.	Magnetic Force	Weight (g)	Box (pcs)	Carton (pcs)
MC-YN005	6.6 lbs (3 kg)	9	200	1000
MC-YN005-N	16.5 lbs (7.5 kg)	10	200	1000

No.	Part Name	Material		Finish	
		MC-YN005	MC-YN005-N	MC-YN005	MC-YN005-N
①	Yoke	430 Stainless Steel	430 Stainless Steel	Plain	Polished
②	Center Yoke	430 Stainless Steel	430 Stainless Steel		Plain
③	Back Plate	304 Stainless Steel	304 Stainless Steel	Plain	Plain
④	Magnet	Ferrite	Neodymium		Nickel

THIN MAGNETIC CATCH



MC-YN003



- Thin magnetic catch ideal for tight spaces.

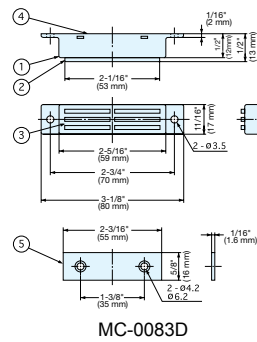
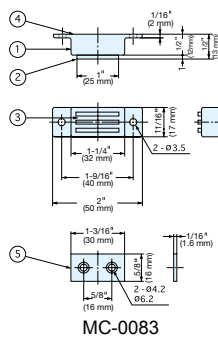
Item No.	Magnetic Force	Weight (g)	Box (pcs)	Carton (pcs)
MC-YN003	3.7 lbs (1.7 kg)	5	500	2500

Part Name	Material	Finish
Magnet	Ferrite	-
Base/Yoke	Steel	Nickel

HEAVY DUTY MAGNETIC CATCH



MC-0083D, MC-0083



- Strong magnetic force.

Item No.	Magnetic Force	Weight (g)	Box (pcs)	Carton (pcs)
MC-0083D	22.0 lbs (10 kg)	63	20	200
MC-0083	15.4 lbs (7 kg)	32	40	400

No.	Part Name	Material	Finish
①	Housing	Brass	Nickel
②	Yoke	Steel	
③	Magnet	Ferrite	-
④	Back plate	Aluminum	Anodized
⑤	Counterplate	Steel	Nickel

STAINLESS STEEL MAGNETIC CATCHES / HEAVY DUTY MAGNETIC CATCHES