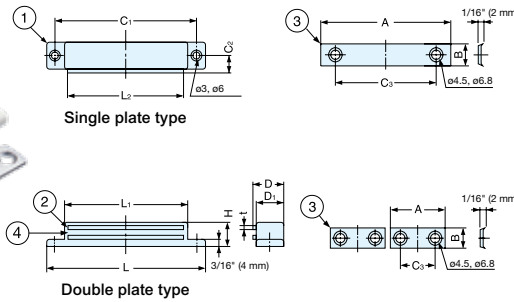
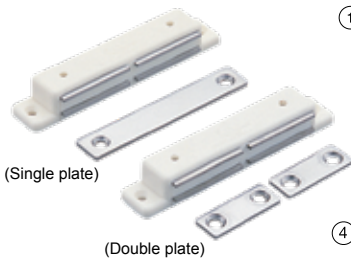


MAGNETIC CATCH



MC-SP

CATCHES & LATCHES



• Double plate option available for double doors meeting in the center.

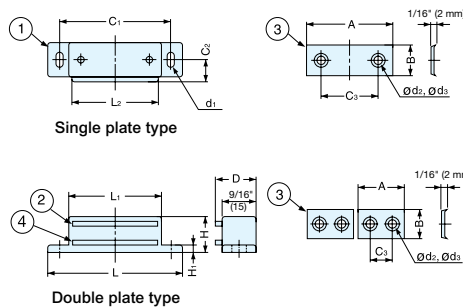
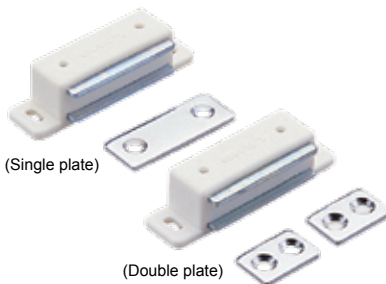
No.	Part Name	Material	Finish/Color
①	Housing	PBT	White
②	Yoke	430 Stainless Steel	Plain
③	Counterplate		
④	Magnet	Ferrite	-

Item No.	L	L ₁	L ₂	D	D ₁	H	C ₁	C ₂	C ₃	t	A	B	Magnetic Force	Wt (g)	Box (pcs)	Carton (pcs)
MC-SPM-S	3-3/8" (86 mm)	2-11/16" (68.4)	2-1/2" (63)	11/16" (17.0)	9/16" (15)	1/2" (13)	3" (77)	3/8" (9.2)	2-1/4" (57)	1/16"	2-3/4" (70)	15/32" (12)	10.5 lbs (4.8 kg)	57.0	12	360
MC-SPM-W											13/16" (20)	(1.5)	1-3/16" (30)	7/16" (11)		
MC-SPL-S	4-3/16" (106 mm)	3-3/8" (85.6)	3-1/8" (80)	13/16" (20.5)	11/16" (18)	5/8" (16)	3-11/16" (94)	7/16" (11.4)	1" (25)	1/16" (2.0)	3-7/64" (79)	35/64" (14)	12.3 lbs (5.6 kg)	100.0	6	180

MAGNETIC CATCH



MC-K



• Double plate option available for double doors meeting in the center.

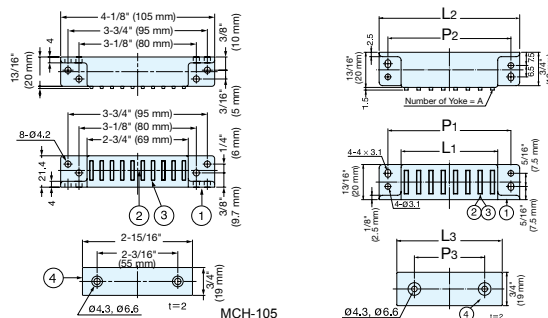
No.	Part Name	Material	Finish/Color
①	Housing	PBT	White
②	Yoke	Steel	Chromate
③	Counterplate		Chrome
④	Magnet	Ferrite	-

Item No.	L	L ₁	L ₂	D	H	H ₁	C ₁	C ₂	C ₃	d ₁	d ₂	d ₃	A	B	Magnetic Force	Wt (g)	Box (pcs)	Carton (pcs)
MC-KM-S	1-63/64" (50.5 mm)	1-5/16" (33)	1-3/16" (30)	11/16" (17)	15/32" (12 mm)	1/8" (3.0)	1-5/8" (42)	3/8" (10)	13/16" (20)	3.2x6.2	3/16" (4.2)	1/4" (6.7)	1-3/16" (30 mm)	29/64" (11.5 mm)	5.2 lbs (2.4 kg)	26	12	720
MC-KL-S	2-23/64" (60.0 mm)	1-5/8" (42)	1-1/2" (38)	11/16" (18)	5/8" (16 mm)	1/8" (3.2)	2" (50)	7/16" (10.5)	3/8" (10)	3.2x6.0	3/16" (4.3)	1/4" (6.4)	1-1/2" (38)	35/64" (14)	6.1 lbs (2.8 kg)	45		360

HEAVY DUTY MAGNETIC CATCH



MCH



• Special design provides screw mounting options in 2 different planes.
• Strong and heavy duty magnetic catch.

No.	Part Name	Material	Finish
①	Housing	Zinc Alloy	Nickel
②	Magnet	Ferrite	-
③	Yoke	Steel	Yellow Zinc Chromate
④	Counterplate		

Item No.	L ₁	L ₂	L ₃	P ₁ / P ₂	P ₃	A	Magnetic Force	Weight (g)	Box (pcs)	Carton (pcs)
MCH-40	13/16" (20 mm)	1-37/64" (40 mm)	7/8" (22 mm)	1-3/16" (30 mm)	1/2" (12 mm)	3	6.6 lbs (3 kg)	56	60	300
MCH-50	1-1/16" (27 mm)	1-31/32" (50 mm)	1-9/64" (29 mm)	9/16" (40 mm)	11/16" (18 mm)	4	15.4 lbs (7 kg)	74	50	250
MCH-61	1-5/8" (41 mm)	2-13/32" (61 mm)	1-11/16" (43 mm)	2" (50 mm)	1-1/16" (27 mm)	6	24.2 lbs (11 kg)	110	40	200
MCH-80	2-3/16" (55 mm)	3-5/32" (80 mm)	2-3/8" (60 mm)	2-3/4" (70 mm)	1-9/16" (40 mm)	8	30.8 lbs (14 kg)	140	30	150
MCH-105	2-3/4" (69 mm)	4-9/64" (105 mm)	2-15/16" (75 mm)	3-1/8" (80 mm)	2-3/16" (55 mm)	10	33.0 lbs (15 kg)	206	24	120

MAGNETIC CATCHES / HEAVY DUTY MAGNETIC CATCHES