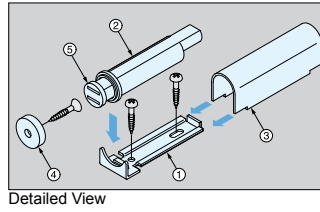


SLIDE MAGNETIC LATCH



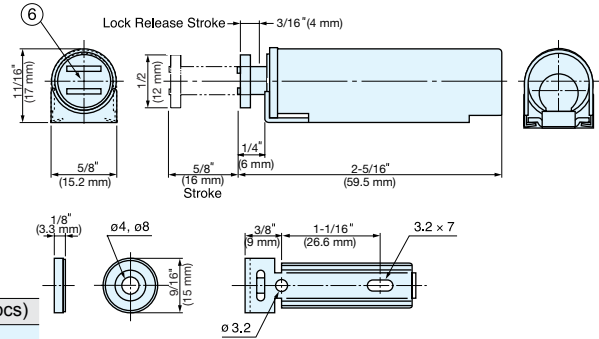
MC-S60



- Push to open/close.
- Note: For overlay door, give 3/16" (4 mm) gap between door and cabinet frame for pushing space.

No.	Part Name	Material	Finish
①	Mounting Plate	Steel	Nickel
②	Body	Polyacetal/ABS	Brown
③	Body Cover	Stainless Steel	-
④	Counterplate	Steel	Nickel
⑤	Yoke		
⑥	Magnet	Ferrite	-

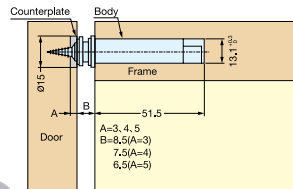
Item No.	Magnetic Force	Weight (g)	Box (pcs)	Carton (pcs)
MC-S60	2.6 lbs (1.2 kg)	28.5	30	600



SLIDE MAGNETIC LATCH

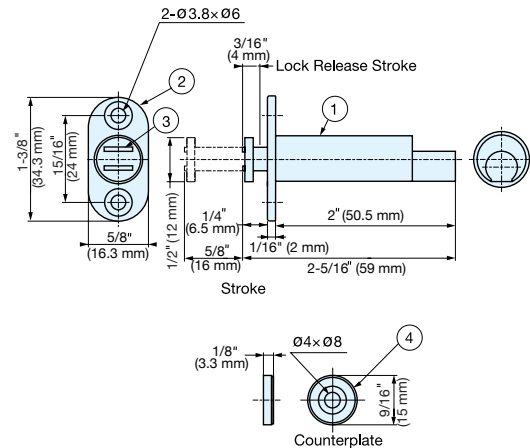


MC-U60



No.	Part Name	Material	Finish/Color
①	Body	Polyaceta/ABS	Brown
②	Mounting Plate	Stainless Steel	-
③	Yoke	Steel	Nickel
④	Counterplate		

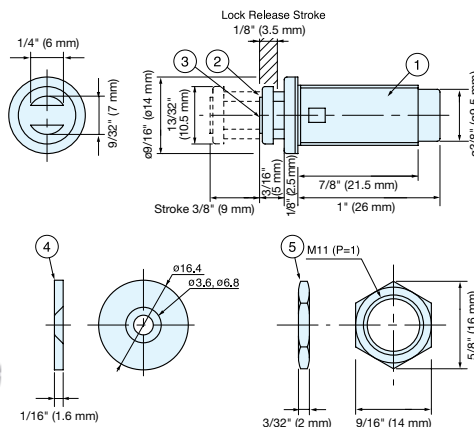
Item No.	Magnetic Force(kg)	Weight (g)	Box (pcs)	Carton (pcs)
MC-U60	1.2 (2.6 lbs)	19	30	600



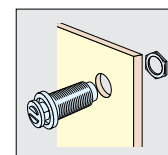
MAGNETIC TOUCH LATCH



PM-4NHB



- Push to open/close.
- Note: For overlay door, give 1/8" (3.5 mm) gap between door and cabinet frame for pushing space.



Installation

Item No.	Magnetic Force	Weight (g)	Box (pcs)	Carton (pcs)
PM-4NHB	2.9 lbs (1.3 kg)	9	350	2800

No.	Part Name	Material	Finish/Color
①	Body	ABS	Black
②	Yoke	Steel	Black Nickel
③	Magnet	Ferrite	-
④	Counterplate	Steel	GB
⑤	Nut		Yellow Zinc Chromate