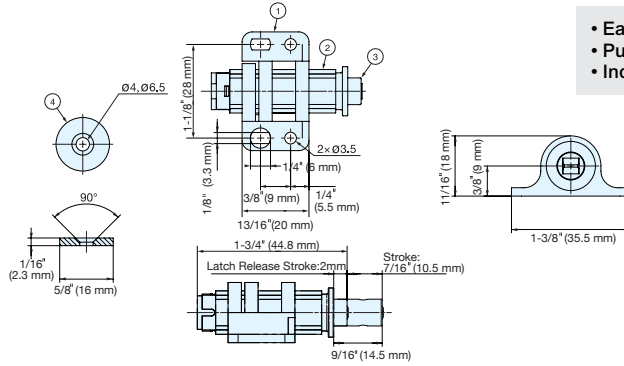


MAGNETIC MINI TOUCH LATCH



MC-25



- Easy to install and adjust.
- Push to open/close.
- Includes screws.

Item No.	Color	Magnetic Force	Weight (g)	Box (pcs)	Carton (pcs)
MC-25BL	Black	1.1 lbs (0.5 kg)	10	30	600
MC-25WT	White				

No.	Part Name	Material	Finish/Color
①	Body	Polypropylene	Black/White
②	Latch	Polypropylene	Black/White
③	Magnet	Ferrite	-
④	Counterplate	Steel	Yellow Zinc Chromate

MAGNETIC STRIP

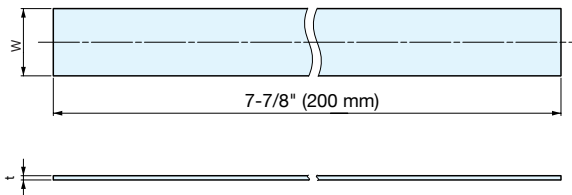


NMS



- Easy to trim, strong magnetic strips.
- Each strip 7-7/8" (200 mm) long—cut to desired length.
- Adhesive backing for easy installation.

Note: 1) Not for use in applications with high temperature (80°C) or humidity.
2) Do not use to secure/support heavy objects.



Item No.	W	t	Magnetic Force	Weight (g)	Box (pcs)
NMS-1-200	1/2" (12.7 mm)	1/32" (0.8)	5.5 psi (0.39 kg/cm ²)	10	500
NMS-2-200	3/4" (19.1 mm)			16	
NMS-3-200	1" (25.4 mm)			21	
NMS-4-200	1/2" (12.7 mm)	1/16" (1.5)	7.8 psi (0.55 kg/cm ²)	19	250
NMS-5-200	3/4" (19.1 mm)			30	
NMS-6-200	1" (25.4 mm)			39	

MAGNETIC STRIP (RUBBER ROLL TYPE)

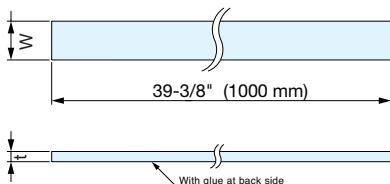


KMS



- Easy to trim, strong magnetic strips.
- Each strip available as a roll, 39-3/8" long—cut to desired length.
- Adhesive backing for easy installation.

Note: 1) Not for use in applications with high temperature (80°C) or humidity.
2) Do not use to secure/support heavy objects.



Item No.	W	t	Magnetic Force	Weight (g)	Box (pcs)
KMS-1-1000	1/2" (12.7 mm)	1/32" (0.8)	0.85psi (0.06 kg/cm ²)	42	500
KMS-2-1000	3/4" (19.1 mm)			62	
KMS-3-1000	1" (25.4 mm)			83	
KMS-4-1000	1/2" (12.7 mm)	1/16" (1.5)	1.28psi (0.09 kg/cm ²)	73	250
KMS-5-1000	3/4" (19.1 mm)			110	
KMS-6-1000	1" (25.4 mm)			146	